

# Simple SignHolders

## SIMPLE CLAMP STANDS



C2RD21-S

- Single sided
- Telescopic pole
- Several base choices
- Two clamp choices

Specify: Pole - Base - Clamp\* - Color\*

Pole

<b>C2</b>	2 section	38" - 72"
<b>C3</b>	3 section	36" - 96"

Base Steel, weighted bases

<b>SQ</b>	12" square (1/8")	- 5 lbs.
<b>SQ2</b>	16" square (1/8")	- 9 lbs.
<b>RD</b>	11" round (3/16")	- 5 lbs.
<b>RD2</b>	13" round (3/16")	- 8 lbs.

Clamps\*

1. Black plastic, opens 1-1/4"
2. Plated steel opens 2"



Colors\*

-S Satin Silver -B Matte Black

\*Does not affect price.

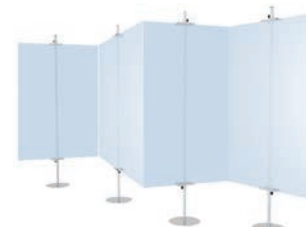
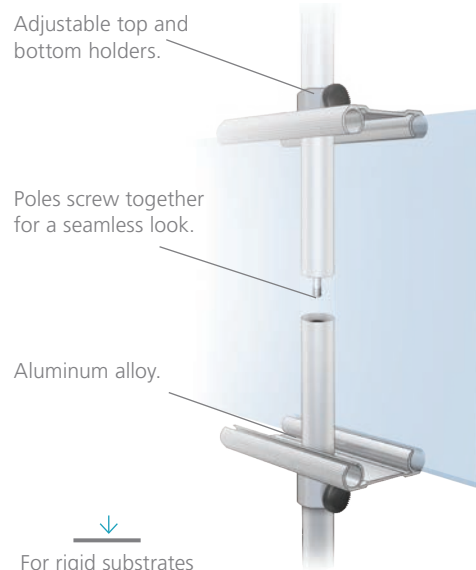
## SIMPLE SIGNHOLDERS

Adjustable top and bottom holders.

Poles screw together for a seamless look.

Aluminum alloy.

For rigid substrates up to 1/4"



Great as Trade Show Corners.



ES2 extra holders



TB travel base



SS2RD-S with ES2 extra holders.

Specify: Model - Base - Color\*

Model	Height	Sections	Diameter	Base	Color*
<b>SS2</b>	72"	2	1"	<b>SQ</b> 12" Square	-S Silver
<b>SS3</b>	96"	3	1"	<b>RD</b> 11" Round	-B Black
<b>ES2</b> Extra Holders for SS2, SS3 (2/set)				<b>TB</b> Travel	*Doesn't affect price.