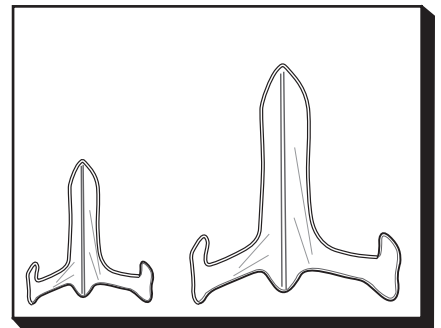
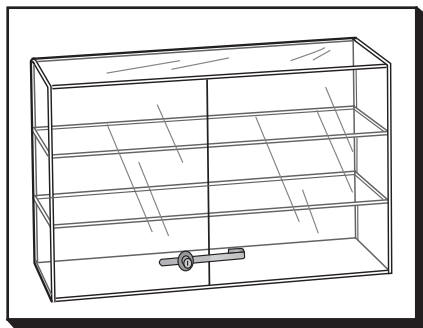
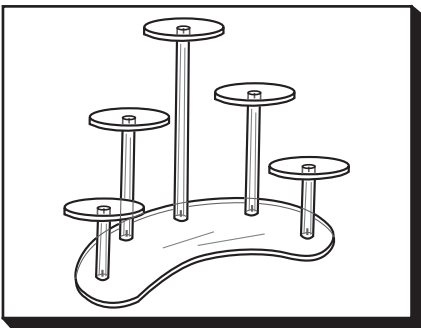
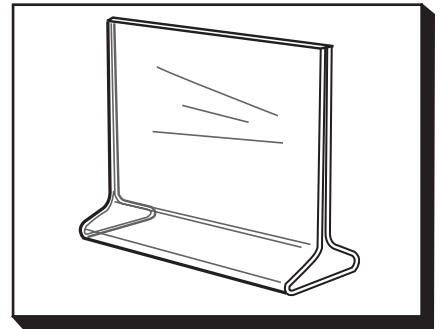
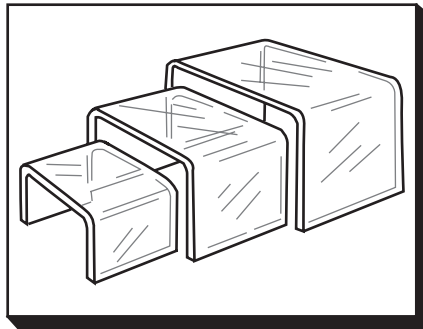
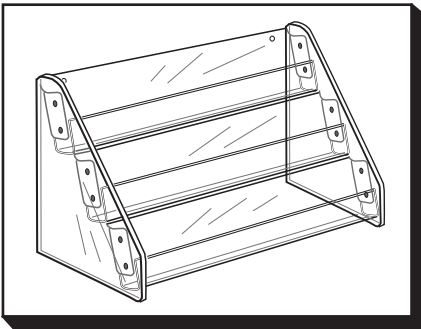
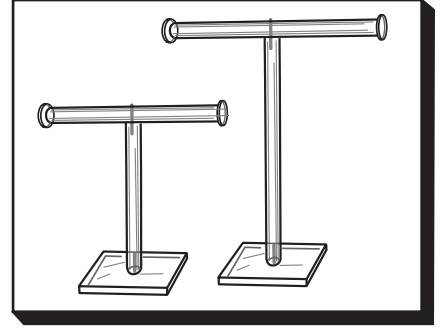
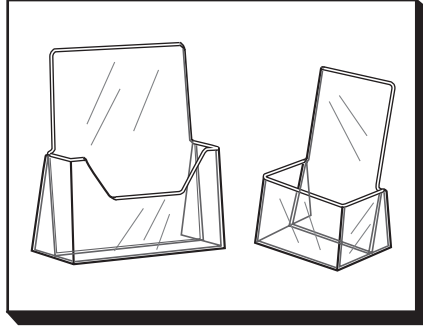
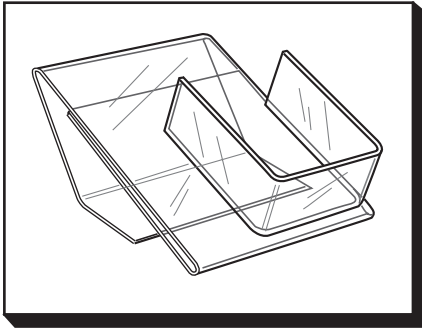


Display It for LE\$\$

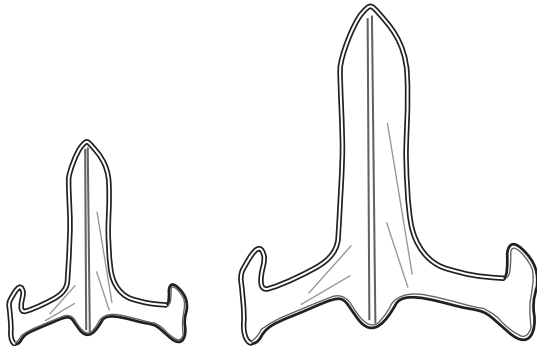
Affordable Display Products



311 Altamonte Commerce Blvd., Suite 1608
Altamonte Springs, FL 32714
Toll Free 866-550-0656 * FAX 407-264-8822

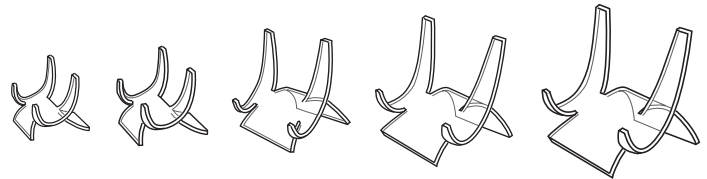
www.affordabledisplayproducts.com

CLASSIC STYLE ACRYLIC EASELS



NUMBER	SIZE
1710	3"h
1711	4½"h
1712	6"h
1713	7½"h
1714	9"h

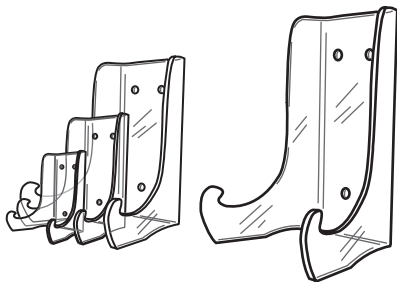
ACRYLIC EASELS



One of our most popular easels, attractive yet inexpensive. Perfect for a wide range of items including plates, tiles, etc..

NUMBER	FOR PLATES	DESCRIPTION		
1740	2" to 5"	1¼"w	1¼"d	1¼"h
1741	3" to 6"	2¼"w	2⅛"d	2¼"h
1742	4" to 7"	2⅞"w	2½"d	3"h
1743	6" to 9"	3⅞"w	3⅞"d	3½"h
1744	7" to 12"	4⅞"w	4¼"d	4⅝"h

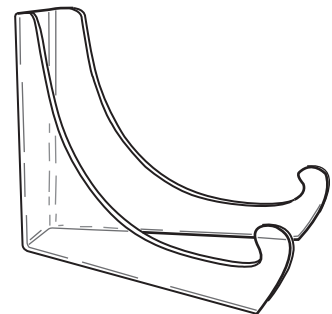
HEAVY DUTY ACRYLIC EASEL



May be used on countertop or screwed into wall. Great for heavy items. Also available for Slatwall or Gridwall hanging.

NUMBER	HOLDS PLATES	DESCRIPTION		
1721	3" - 5"	3⅞"w	2¼d	4½"h
1722	5" - 8"	4"w	3¼"d	6½"h
1723	7" - 10"	6⅞"w	4¼"d	7½"h
1724	10" - 12"	6¾"w	5¼"d	9"h
1725	12" - 15"	8½"w	6¾"d	12"h
1726	15" - 20"	10¼"w	8¾"d	15"h
1727	20" - 24"	14"w	10¼"d	18"h

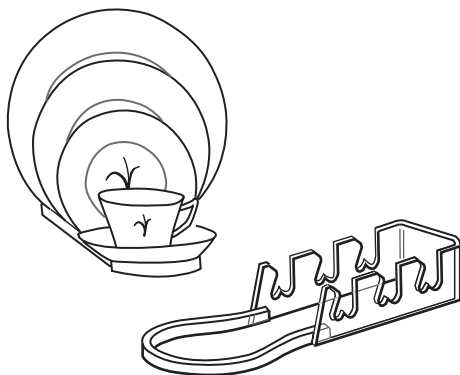
ACRYLIC BOWL EASEL



Extra deep to hold bowls and other deep items.

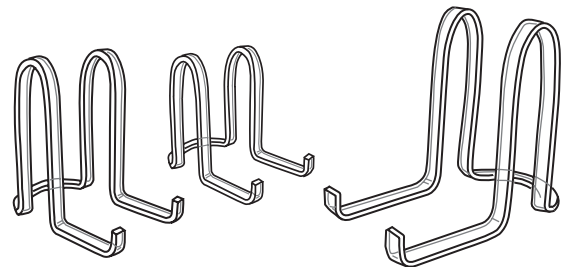
NUMBER	HOLDS BOWLS	DESCRIPTION		
1730	3" - 5"	3⅞"w	4d	3"h
1731	5" - 7"	4"w	5¼"d	4½"h
1732	7" - 9"	6⅞"w	7½"d	6"h
1733	10" - 12"	7"w	10"d	8"h
1734	12" - 15"	8"w	12½"d	10"h
1735	15" - 20"	8¼"w	15"d	12"h

ACRYLIC DINNERWARE STAND



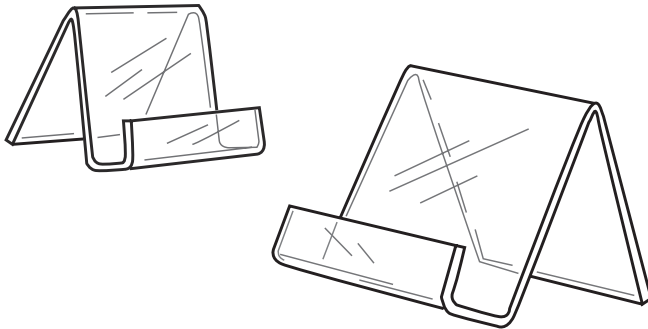
NUMBER	DESCRIPTION
1771	5 Piece Dinnerware Set in-line

ACRYLIC RIBBON EASELS



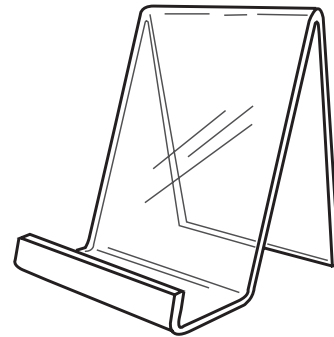
NUMBER	HOLDS PLATES	SIZE		
1750	2½-4"	1¼"w	1"d	2"h
1751	4-6"	2½"w	1"d	3"h
1752	6-10"	3¼"w	1½"d	4"h
1753	10-13"	4"w	2½"d	6"h
1754	12-16"	4"w	2½"d	8"h
1755	Extra deep for bowls	4"w	3¼"d	6"h

BOOK EASELS



NUMBER	DESCRIPTION			
1060	3½"w	1"d	4"h	For displaying books, videos, software and other flat items
1062	5½"w	1"d	6"h	
1064	7½"w	1¾"d	8"h	
1066	9"w	1¾"d	11"h	

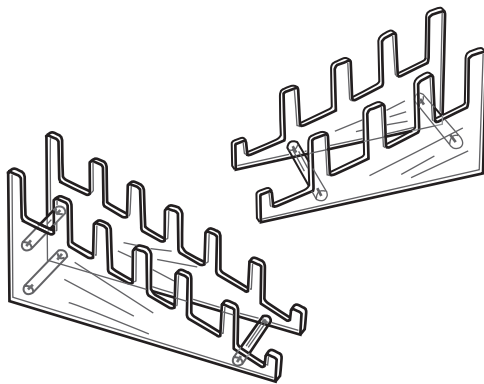
DEEP EASELS



3" Opening for thick boxed items such as games or computer software.

NUMBER	DESCRIPTION	
1071	3½"w	5"h
1073	5½"w	6"h
1075	7½"w	8"h

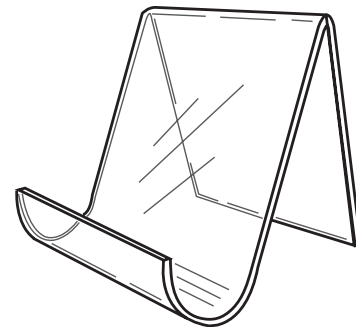
MULTIPLE PLATE RACKS



1½" opening

NUMBER	HOLDS ITEMS	DESCRIPTION		
1762	5"-12"	4½"w	9¾"d	5½"h
1764	5"-12"	4½"w	14¼"d	7¼"h

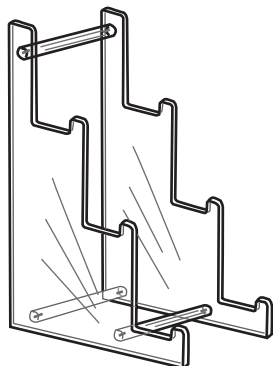
WIDE OPENING EASELS



3" Opening for handbags, wallets, and other thick items.

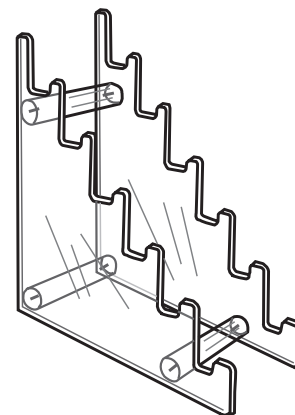
NUMBER	DESCRIPTION	
1061	3½"w	5½"h
1063	5½"w	6"h
1065	7½"w	8"h

3 TIERED EASEL



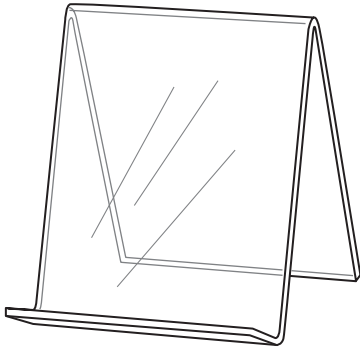
NUMBER	HOLDS ITEMS	DESCRIPTION		
1765	5"-9"	3½"w	8"d	10½"h
			1½" opening	
1766	7"-12"	6¼"w	10¾"d	16¼"h
			2¼" opening	

MULTIPLE PLATE STAND



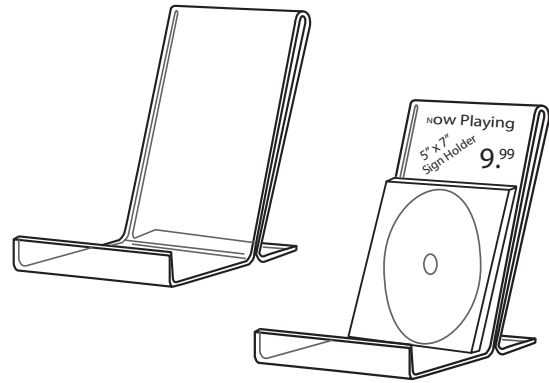
NUMBER	DESCRIPTION		
1769	6½"w	13"d	16½"h
		1¼" opening	

BOOK EASEL



<u>NUMBER</u>	<u>DESCRIPTION</u>
1069	4½" w 5½" h

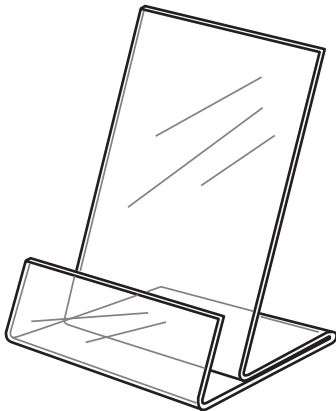
CD EASEL w/ SIGN HOLDER



Built In 5½" Wide x 7" high Sign Holder

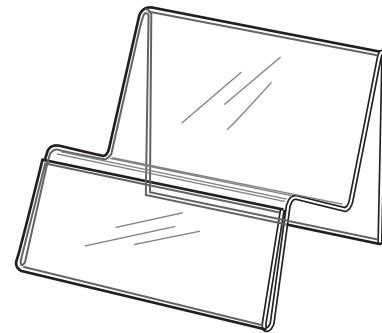
<u>NUMBER</u>	<u>DESCRIPTION</u>	<u>HOLDS ITEMS</u>
1295	5½" w 3½" d 7" h	Holds 5 standard CDs

FOLDED SHIRT EASEL



<u>NUMBER</u>	<u>DESCRIPTION</u>
1078	7" w 12" h w/ 3" Lip, 1¼" Opening

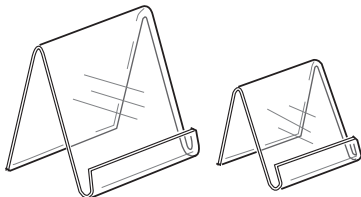
DISPLAY STAND



Display cameras, wallets, and other small items to their best potential on this attractive raised stand. Front lip features an area to insert a 2½" h x 6" w sign.

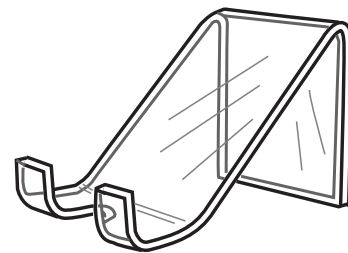
<u>NUMBER</u>	<u>DESCRIPTION</u>
1995	6" w 5½" d 4¾" h w/signholder

MINI CARD EASELS



<u>NUMBER</u>	<u>DESCRIPTION</u>
1250	1½" h x 1½" w - ¼" Wide Opening
1251	2" h x 2" w - ¼" Wide Opening

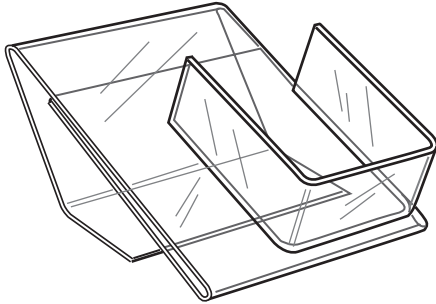
PAPERWEIGHT STANDS



This easel perfectly displays paperweights and other small deep items at an attractive angle.

<u>NUMBER</u>	<u>DESCRIPTION</u>
1775	Single paperweight stand, 1½" h x 1½" w x 2½" d

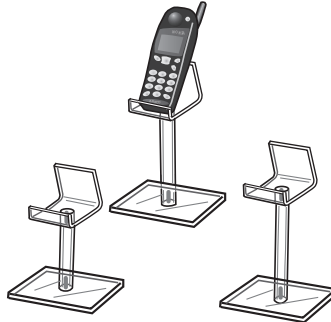
STEEP SLANT CELL PHONE DISPLAY



Use the built in 4¾" w x 5" h sign holder to advertise the features & pricing of cell phones.

NUMBER	DESCRIPTION
1986	4¾" w 2¾" h

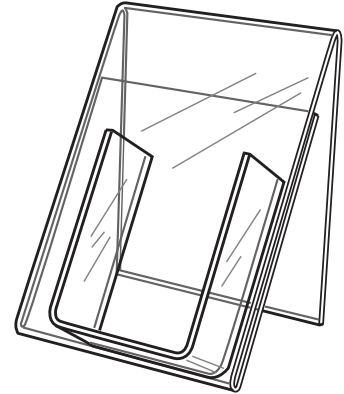
PHONE PEDESTALS



Perfect for small electronics such as cell phones, portable music players, etc.

NUMBER	SIZE
1970	4" h
1971	5" h
1972	6" h
1973	Set of 3

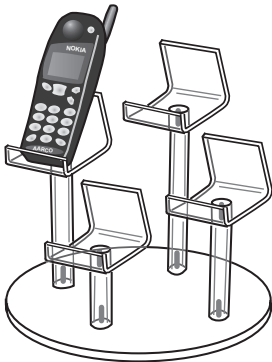
UPRIGHT CELL PHONE DISPLAY



Use the built in 4¾" w x 5" h sign holder to advertise the features & pricing of cell phones.

NUMBER	DESCRIPTION
1985	4¾" w 5¼" h

4 PEDESTAL GROUPING



NUMBER	SIZE
1975	9" Circle

Pedestals:

1 ea 3" h	1 ea 4" h
1 ea 5" h	1 ea 6" h

5 PEDESTAL GROUPING

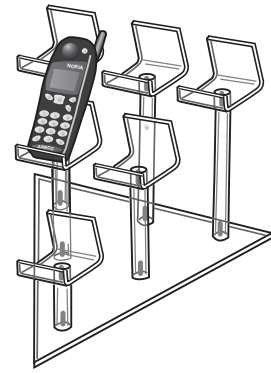


NUMBER	SIZE
1976	12" Semi-Circle

Pedestals:

2 ea 3" h	2 ea 6" h	1 ea 9" h
-----------	-----------	-----------

6 PEDESTAL GROUPING

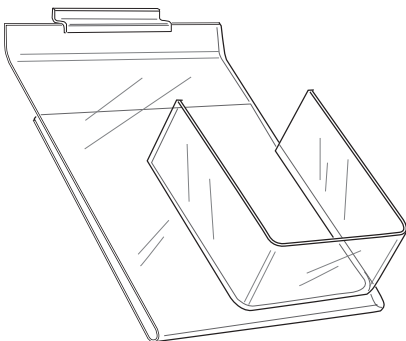


NUMBER	SIZE
1977	12" Triangle

Pedestals:

1 ea 3" h	2 ea 5" h	3 ea 7" h
-----------	-----------	-----------

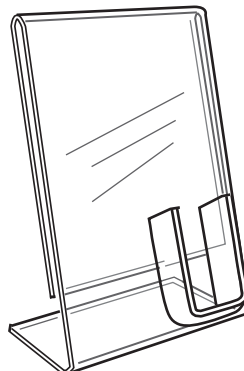
SLATWALL CELL PHONE STAND



Displays a cell phone with a built in 4¾" w x 5" h sign holder

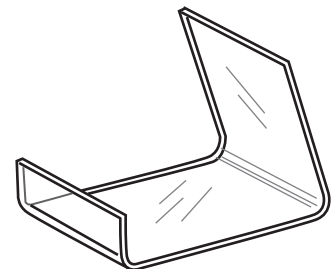
NUMBER	DESCRIPTION
2945	4¾" w 5" h

SIGNHOLDER W/ CELL PHONE POCKET



NUMBER	DESCRIPTION
1077	8½" w 11" h

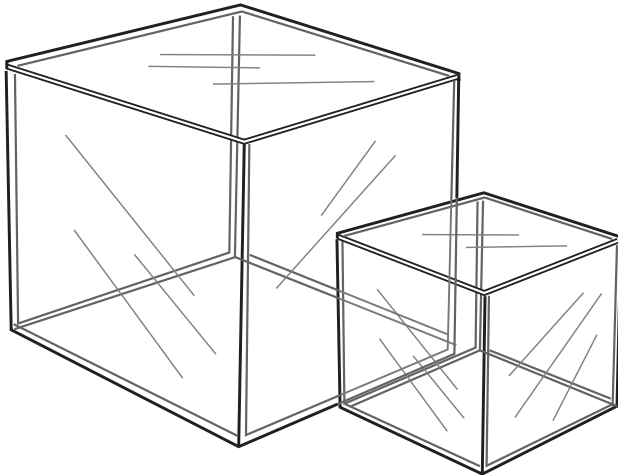
CELL PHONE EASEL



Perfect for small electronics such as cell phones, portable music players, etc.

NUMBER	DESCRIPTION
1980	2" w 3" d* 2" h

SQUARE CUBES



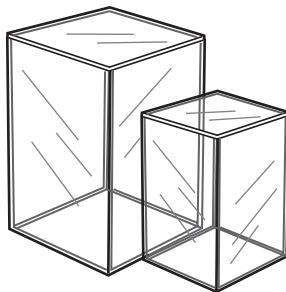
Five sided acrylic Cubes to cover and protect.

Keep your collectibles free of dust and damage under our display boxes.

Several sizes are available in either economy 1/8" Acrylic or a thicker 3/16" Thick Acrylic.

1/8" Thick Acrylic			3/16" Thick Acrylic		
ITEM NUMBER	SIZE			ITEM NUMBER	
1004	4"w	4"d	4"h	1004-T	
1006	6"w	6"d	6"h	1006-T	
1008	8"w	8"d	8"h	1008-T	
1010	10w	10"d	10"h	1010-T	
	12"w	12"d	12"h	1012	
	14"w	14"d	14"h	1014	
	15"w	15"d	15"h	1015	
	16"w	16"d	16"h	1016	
	18"w	18"d	18"h	1018	

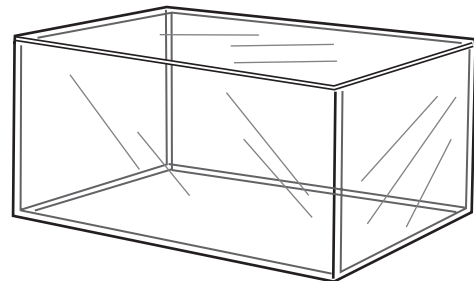
TALL CUBES



Cubes for dolls, vases, etc.

TALL BOXES	SIZE		
1025	6"w	6"d	9"h
1026	8"w	8"d	12"h
1027	10"w	10"d	15"h
1028	12"w	12"d	18"h

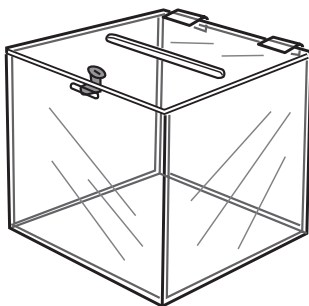
WIDE CUBES



Cubes for models, footballs, etc.

WIDE BOXES	SIZE		
1030	6"w	9"d	6"h
1031	8"w	12"d	8"h
1032	10"w	15"d	10"h
1033	12"w	18"d	12"h

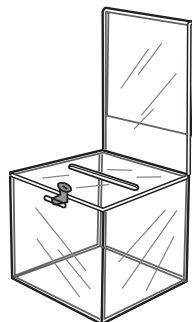
LOCKING BALLOT BOX



Locking clear acrylic ballot box. Perfect for raffles & drawings. Comes with key lock

NUMBER	DESCRIPTION		
1037	6"w	6"d	6"h
1023	8"w	8"d	8"h
1024	10"w	10"d	10"h

LOCKING BALLOT BOX WITH SIGN HOLDER



Easily display contest rules or your company's advertising information in attached sign holder.

NUMBER	DESCRIPTION		
1038L	8½"w	8½"d	8½"h Box w/ 8½"w x 11"h Sign Holder

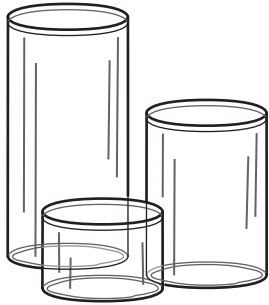
CHARITY COLLECTION BOX



5¼" w x 3" h x 3½" h Mini Charity Collection Box w/ 5" w x 7" h Signholder back. Locks with optional mini padlock

NUMBER	DESCRIPTION
1020	Mini Charity Collection Box
1021	Optional Mini Padlock

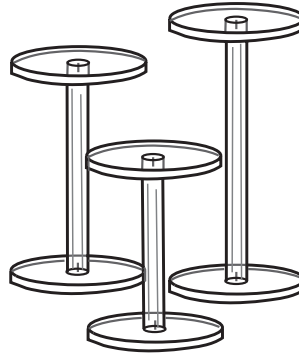
ACRYLIC PEDESTALS



2" dia. Pedestal

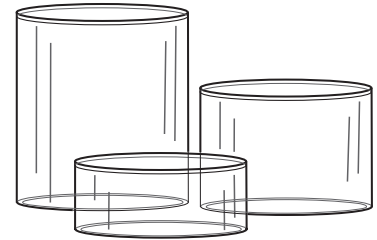
NUMBER	SIZE
1610	2"h
1600	3"h
1611	4"h
1612	6"h
1613	Set of 3 - 2", 4", 6"

DUMBBELL PEDESTALS



NUMBER	SIZE
1870	3"d x 4"h
1871	3"d x 5"h
1872	3"d x 6"h
1873	Set of 3

ACRYLIC PEDESTALS



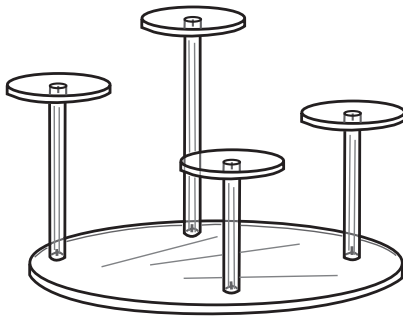
3" dia. Pedestal

NUMBER	SIZE
1605	3"h
1606	4"h

6" dia. Pedestal

NUMBER	SIZE
1615	2"h
1616	4"h
1617	6"h
1618	Set of 3

4 PEDESTAL GROUPING

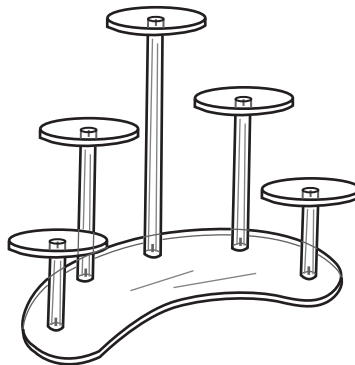


NUMBER	SIZE
1875	9" Circle

Pedestals:

- 1 ea 3" h, 3" dia.
- 1 ea 4" h, 3" dia.
- 1 ea 5" h, 3" dia.
- 1 ea 6" h, 3" dia.

5 PEDESTAL GROUPING

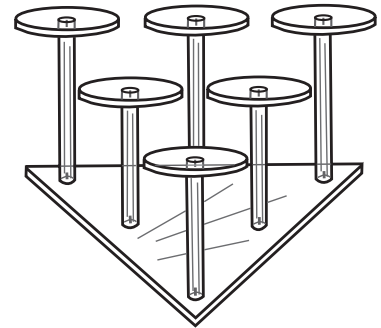


NUMBER	SIZE
1876	12" Semi-Circle

Pedestals:

- 2 ea 3" h, 3" dia.
- 2 ea 6" h, 3" dia.
- 1 ea 9" h, 3" dia.

6 PEDESTAL GROUPING

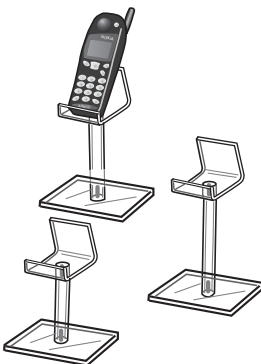


NUMBER	SIZE
1877	12" Triangle

Pedestals:

- 1 ea 3" h, 3" dia.
- 2 ea 5" h, 3" dia.
- 3 ea 7" h, 3" dia.

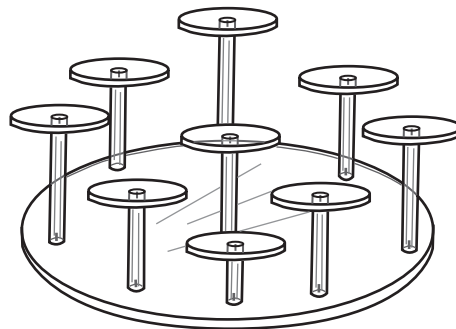
EASEL PEDESTALS



NUMBER	SIZE
1970	4"h
1971	5"h
1972	6"h
1973	Set of 3

See Page 5 For More Pedestal Easels

9 PEDESTAL GROUPING

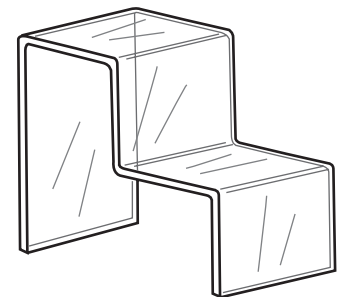


NUMBER	SIZE
1878	13" Circle

Pedestals:

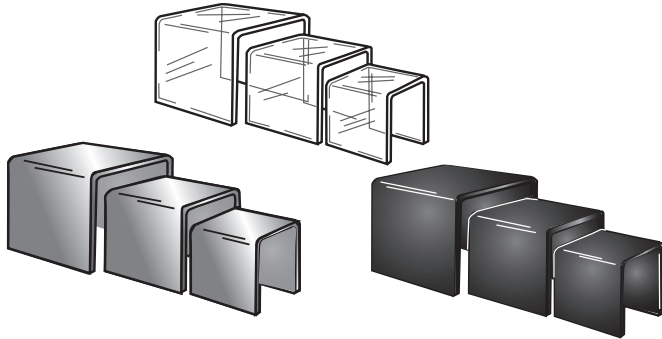
- 1 ea 3" h, 3" dia.
- 1 ea 6" h, 3" dia.
- 2 ea 9" h, 3" dia.
- 2 ea 5" h, 3" dia.
- 2 ea 7" h, 3" dia.
- 1 ea 11" h, 3" dia.

MINI STAIRSTEP



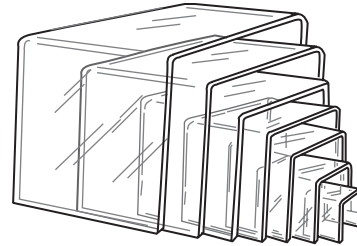
NUMBER	SIZE	DESCRIPTION
1858	3"w 6"h	2 - 3" x 3" Steps

ACRYLIC RISER SET



CLEAR 1/8" ACRYLIC		MIRRORED 1/8" ACRYLIC		BLACK 1/8" ACRYLIC	
SIZE	NUMBER	NUMBER	NUMBER	NUMBER	NUMBER
3"w 3"d 3"h	1049A	1049A-M	1049A-BK	1049A	1049A
4"w 4"d 4"h	1049B	1049B-M	1049B-BK	1049B	1049B
5"w 5"d 5"h	1049C	1049C-M	1049C-BK	1049C	1049C
Set of 3	1050	1050-M	1050-BK		

ACRYLIC RISER SET



CLEAR 1/8" ACRYLIC

NUMBER	SIZE
1049	2"w 2"d 2"h
1049A	3"w 3"d 3"h
1049B	4"w 4"d 4"h
1049C	5"w 5"d 5"h
1049E	6"w 6"d 6"h
1049F	7"w 7"d 7"h
1049G	8"w 8"d 8"h
1046	Set of 7

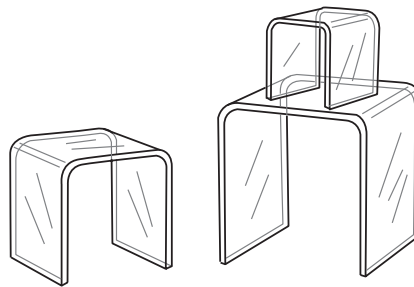
SHORT RISERS



CLEAR 1/8" ACRYLIC

NUMBER	SIZE
1044A	2"w 2"d 1 1/4"h
1044B	3"w 3"d 1 1/2"h
1044C	4"w 4"d 2"h
1044	Set of 3

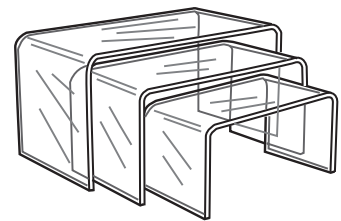
ACRYLIC RISER SET



CLEAR 1/8" ACRYLIC

NUMBER	SIZE
1049	2"w 2"d 2"h
1049A	3"w 3"d 3"h
1049B	4"w 4"d 4"h
1043	Set of 3

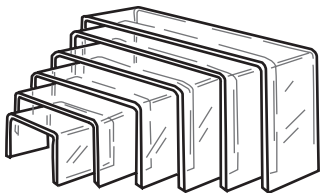
LONG RISERS



CLEAR 1/8" ACRYLIC

NUMBER	SIZE
1048A	4"w 2"d 2"h
1048B	5"w 2 1/2"d 2 1/2"h
1048C	6"w 3"d 3"h
1048	Set of 3

ACRYLIC RISER SET

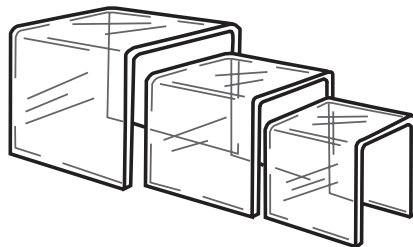


For medium weight items

CLEAR 3/16" ACRYLIC

NUMBER	SIZE
1056A	3 3/4"w 4"d 3 1/4"h
1056B	4 1/2"w 4"d 3 3/4"h
1056C	5 1/2"w 4"d 4 1/4"h
1056D	6"w 4"d 4 3/4"h
1056E	6 3/4"w 4"d 5 1/4"h
1056F	7 1/2"w 4"d 5 3/4"h
1056	Set of 6

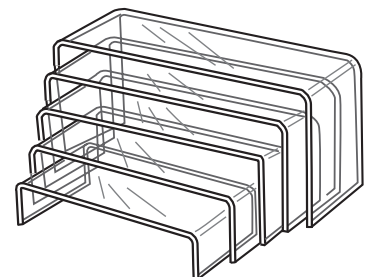
ACRYLIC RISER SET



CLEAR 1/8" ACRYLIC

NUMBER	SIZE
1049B	4"w 4"d 4"h
1049E	6"w 6"d 6"h
1049G	8"w 8"d 8"h
1045	Set of 3

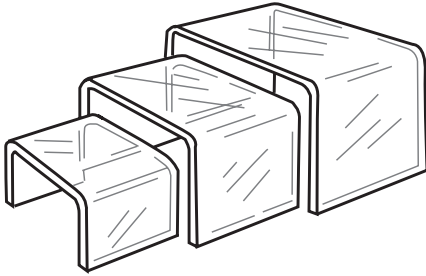
ACRYLIC RISER SET



CLEAR 3/16" ACRYLIC

SIZE	NUMBER
9"w 4 1/2"d 2"h	1059A
10"w 4 1/2"d 3"h	1059B
11"w 4 1/2"d 4"h	1059C
12"w 4 1/2"d 5"h	1059D
13"w 4 1/2"d 6"h	1059E
1059	Set of 5

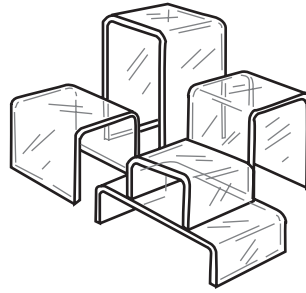
MEDIUM RISERS



Clear 1/4" Acrylic

NUMBER	SIZE
1051A	6"w 6"d 4"h
1051B	8"w 6"d 6"h
1051C	10"w 6"d 8"h
1052	Set of 3

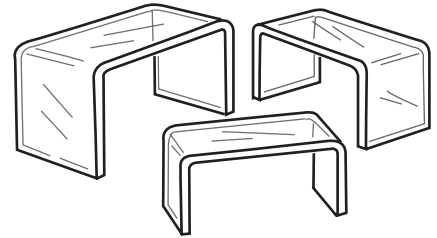
VARIETY RISERS



Clear 1/4" Acrylic

NUMBER	SIZE
1100A	6"w 6"d 3"h
1100B	6"w 6"d 9"h
1100C	6"w 6"d 12"h
1100D	12"w 6"d 3"h
1053A	6"w 6"d 6"h
1100	Set of 5

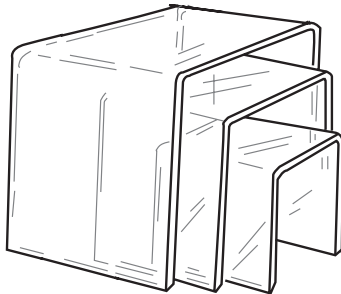
WIDE RISERS



Clear 1/4" Acrylic

NUMBER	SIZE
1058A	8"w 4"d 4"h
1058B	10"w 5"d 5"h
1058C	12"w 6"d 6"h
1058	Set of 3

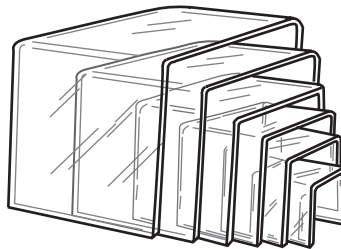
SQUARE RISERS



Clear 1/4" Acrylic

NUMBER	SIZE
1053A	6"w 6"d 6"h
1053B	8"w 8"d 8"h
1053C	10"w 10"d 10"h
1094	Set of 3

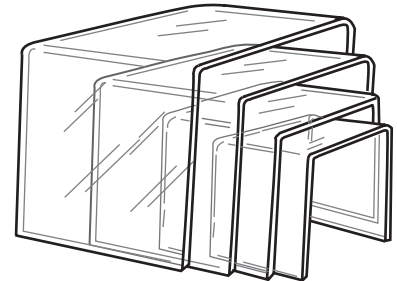
SQUARE RISERS



Clear 1/4" Acrylic

NUMBER	SIZE
1049B-T	4"w 4"d 4"h
1049C-T	5"w 5"d 5"h
1053A	6"w 6"d 6"h
1053B	8"w 8"d 8"h
1053C	10"w 10"d 10"h
1053D	12"w 12"d 12"h
1053	Set of 6

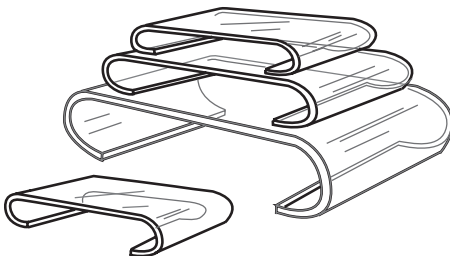
SQUARE RISERS



Clear 1/4" Acrylic

NUMBER	SIZE
1053A	6"w 6"d 6"h
1053B	8"w 8"d 8"h
1053C	10"w 10"d 10"h
1053D	12"w 12"d 12"h
1054	Set of 4

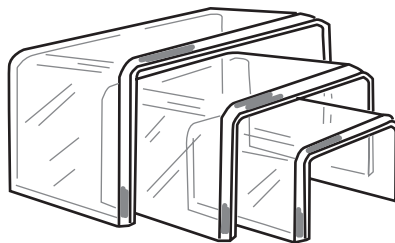
SCROLL RISERS



CLEAR 1/8" ACRYLIC

NUMBER	SIZE
1041A	4"w 2"d 1 1/2"h
1041B	6"w 3"d 1 1/2"h
1041C	8"w 4"d 1 3/4"h
1041D	10"w 5"d 2"h
1041	Set of 4

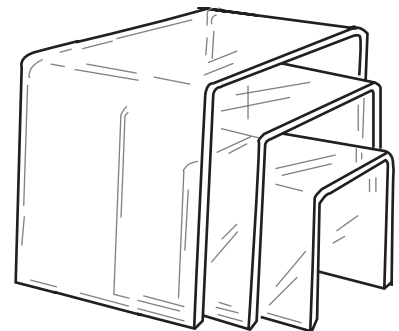
BEVELED RISERS



Clear 1/4" Acrylic

NUMBER	SIZE
1057A	5 1/2"w 4"d 2 1/2"h
1057B	6 1/2"w 4"d 3 1/2"h
1057C	7 1/2"w 4"d 4 1/2"h
1057	Set of 3

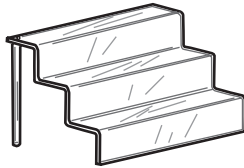
GIANT RISERS



1053D Clear 1/4" Acrylic
1053E & 1053F Clear 3/8" Acrylic

NUMBER	SIZE
1053D	12"w 12"d 12"h
1053E	14"w 14"d 14"h
1053F	16"w 16"d 16"h
1055	Set of 3

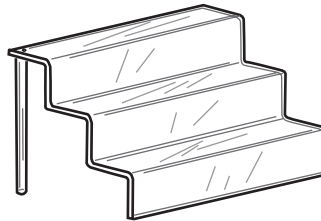
2" DEEP SHELF STAIRWAY



6¼"h with 2"d Shelves

<u>NUMBER</u>	<u>DESCRIPTION</u>
1860	4" Wide
1861	6" Wide
1862	12" Wide

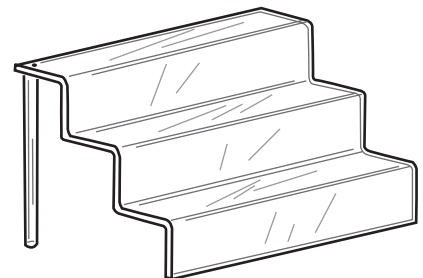
3" DEEP SHELF STAIRWAY



9¾"h with 3"d Shelves

<u>NUMBER</u>	<u>DESCRIPTION</u>
1863	6" Wide
1864	12" Wide
1865	18" Wide

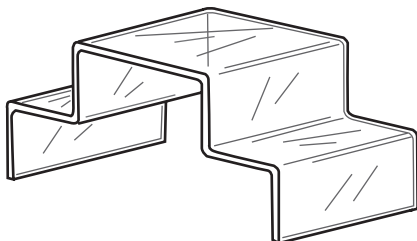
4" DEEP SHELF STAIRWAY



12½"h with 4"d Shelves

<u>NUMBER</u>	<u>DESCRIPTION</u>
1867	12" Wide
1868	18" Wide

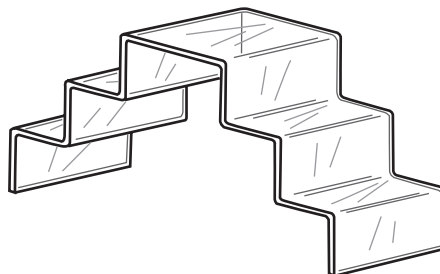
DOUBLE STAIRWAY



6"w x 3"d Shelves

<u>NUMBER</u>	<u>DESCRIPTION</u>
1898	13"w, 6½"h

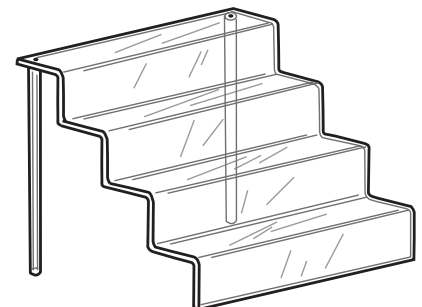
DOUBLE STAIRWAY



6"w x 3"d Shelves

<u>NUMBER</u>	<u>DESCRIPTION</u>
1899	19½"w, 9¾"h

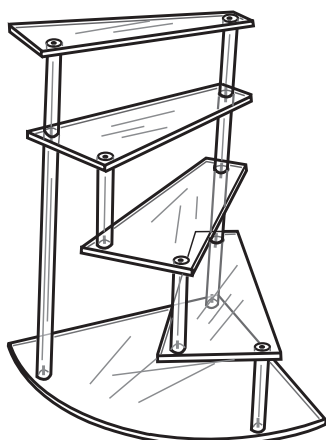
FOUR-STEP STAIRWAY



12¾"h x 3"d Shelves

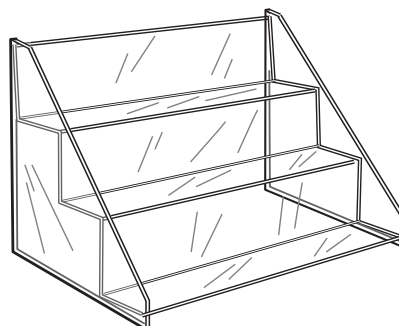
<u>NUMBER</u>	<u>DESCRIPTION</u>
1869	18" Wide

SPIRAL STAIRWAY



<u>NUMBER</u>	<u>DESCRIPTION</u>
1855	4 x 12" Shelves, 17¼"h

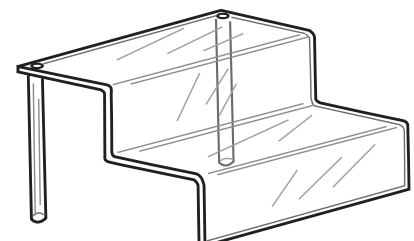
REVERSIBLE 3 TIER COUNTER DISPLAY



Can be used with 2"d shelves
or reversed for 3"d shelves

<u>NUMBER</u>	<u>DESCRIPTION</u>
1215	15"w 7"d 10"h

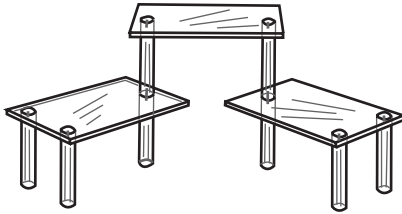
TWO-STEP STAIRWAY



6½"h with 4"d Shelves

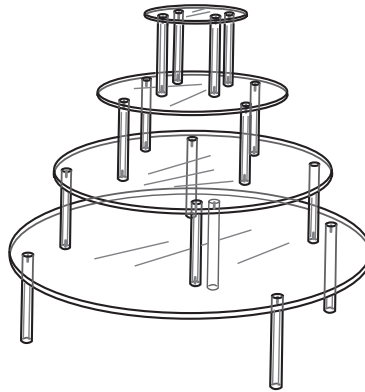
<u>NUMBER</u>	<u>DESCRIPTION</u>
1895	12" Wide

THREE TABLE DISPLAY



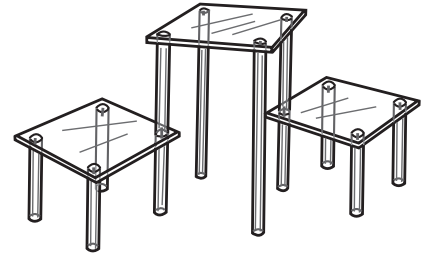
NUMBER	DESCRIPTION
1882	3ea 4½" x 9" Shelves
1883	3ea 8" x 12" Shelves

ROUND TABLE DISPLAY



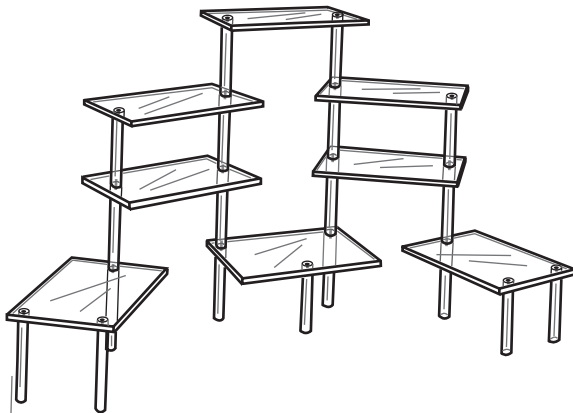
NUMBER	DESCRIPTION
1850	Set of 4 tables 6", 12", 18", 24" dia. Each section 5" high

SQUARE TABLE DISPLAY



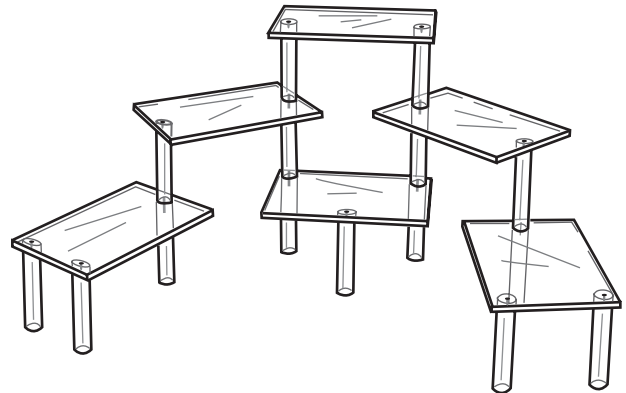
NUMBER	DESCRIPTION
1880	3 ea 4" x 4" Shelves, 8"h
1881	3 ea 6" x 6" Shelves, 8"h

EIGHT TABLE DISPLAY



NUMBER	DESCRIPTION
1886	8ea 4½" x 9" Shelves
1887	8ea 8" x 12" Shelves

SIX TABLE DISPLAY



NUMBER	DESCRIPTION
1884	6ea 4½" x 9" Shelves
1885	6ea 8" x 12" Shelves

SQUARE TABLES

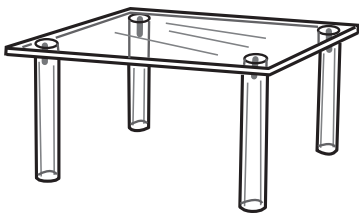


Table	3"h	5"h	7"h	9"h
4"x4"	1800	1801	1802	1803
6"x6"	1805	1806	1807	1808
8"x8"	1810	1811	1812	1813
10"x10"	1815	1816	1817	1818
12"x12"	1820	1821	1822	1823

ROUND TABLES

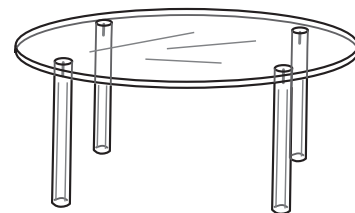
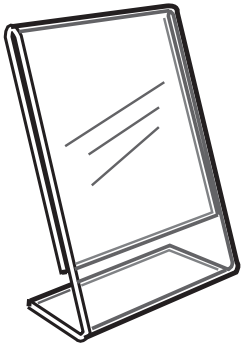
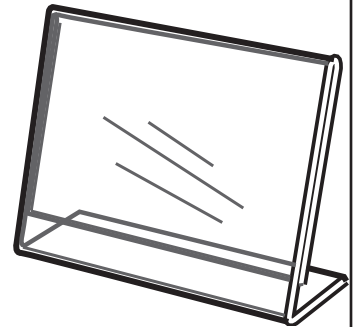


Table	3"h	5"h	7"h	9"h
4" dia.	1830	1831	1832	1833
6" dia.	1835	1836	1837	1838
8" dia.	1840	1841	1842	1843
12" dia.	1845	1846	1847	1848

SLANTBACK COUNTERTOP SIGN HOLDERS

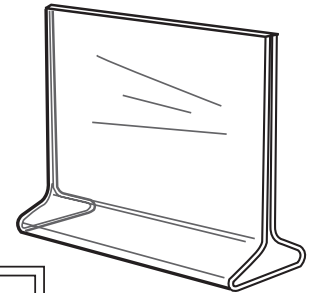
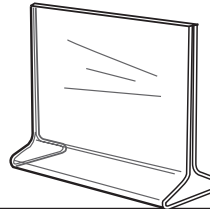
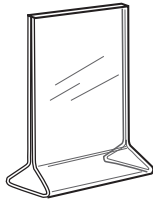
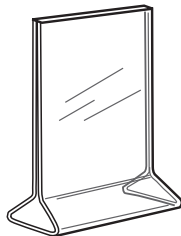
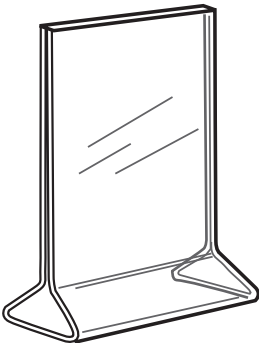


VERTICAL			HORIZONTAL		
Standard	Economy	Size	Standard	Economy	
1107	8107	2 x 3½"	1104	8104	
1108	----	2½ x 3½"	1103	----	
1101	8101	3½ x 5½"	1102	8102	
1115	----	4" x 6"	1116	----	
1105	----	5 x 7"	1106	----	
1109	8109	5½ x 7"	1110	8110	
1113	----	7 x 11"	1114	----	
1111	----	8 x 10"	1112	----	
1117	8117	8½ x 11"	1118	8118	



Standard sign holders have polished edges and are made from 1/8" acrylic.
Economy sign holders feature unpolished edges and thinner acrylic.

TOP LOADING SIGN HOLDERS



VERTICAL			HORIZONTAL		
Standard	Economy	Size	Standard	Economy	
1183	8183	3½ x 5½"	1184	8184	
1187	8187	5½ x 7"	1188	8188	
1189	----	7 x 11"	1190	----	
1194	----	8½ x 11"	1195	----	
1191	----	11 x 14"	1192	----	

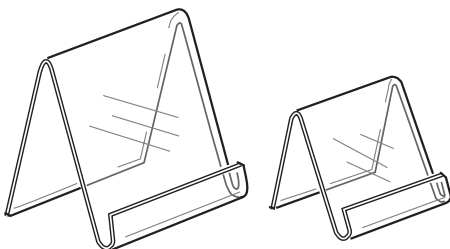
Standard sign holders have polished edges and are made from 1/8" acrylic.
Economy sign holders feature unpolished edges and thinner acrylic.

SIGN HOLDER CLIP
Fits all Signholder to
securely clip tight

NUMBER
1199



MINI CARD EASELS



Great for price or description cards.

NUMBER	DESCRIPTION
1250	1½"h x 1½"w - ¼" Wide Opening
1251	2"h x 2"w - ¼" Wide Opening

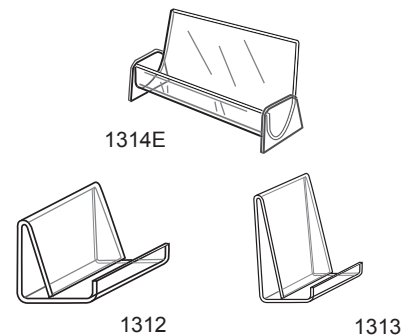
CARD HOLDERS



Great for price or description cards.

NUMBER	DESCRIPTION
1257	1¼"w 1"d ¾"h
1258	1½"w 1½"d ¾"h
1259	2"w 1½"d ¾"h
1260	5"w 1½"d ¾"h

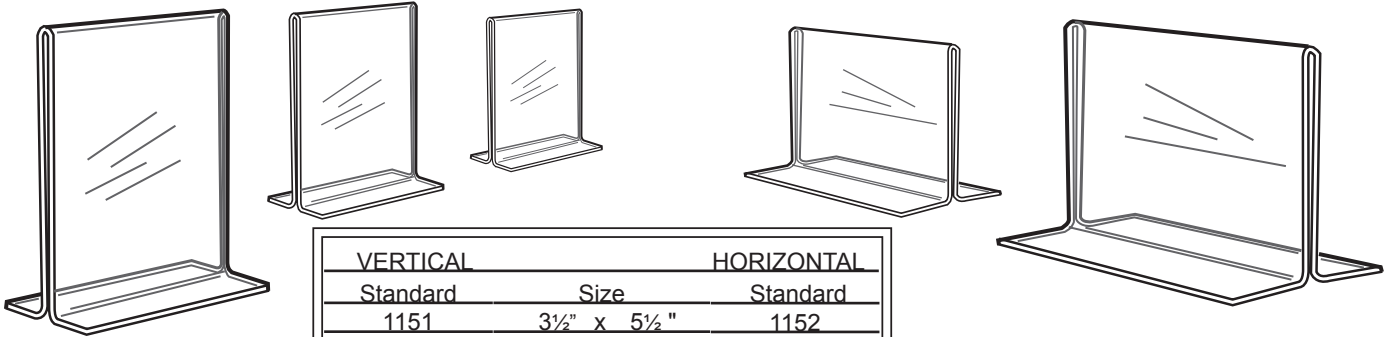
BUSINESS CARD HOLDER



Counter Top

NUMBER	DESCRIPTION
1314E	Molded Business Card Holder
1312	Acrylic Horizontal Card Holder
1313	Acrylic Horizontal Card Holder

BOTTOM LOADING SIGN HOLDERS



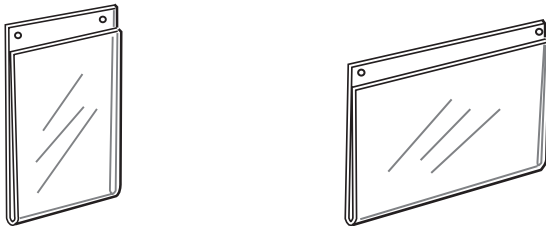
VERTICAL		HORIZONTAL	
Standard	Size	Standard	
1151	3½" x 5½"	1152	
1155	5" x 7"	1156	
1159	5½" x 7"	1160	
1163	7" x 11"	1164	
1167	8½" x 11"	1168	
1171	11" x 14"	1172	
1173	11" x 17"	1174	

SIGN HOLDER CLIP
Fits all Signholder to
securely clip tight

NUMBER
1199

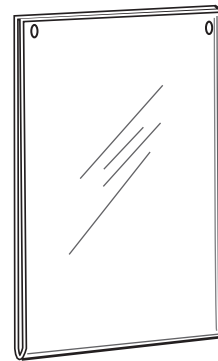


WALLMOUNT SIGN HOLDERS



VERTICLE NUMBER	SIZE	HORIZONTAL NUMBER
Vert		Horz
1368	2 x 3½"	1362
1363	3½ x 5½"	1364
1387	5½ x 7"	1388
1389	7 x 11"	1390
1382	8½ x 11"	1365
1391	11 x 14"	1392
1384	11 x 17"	1385

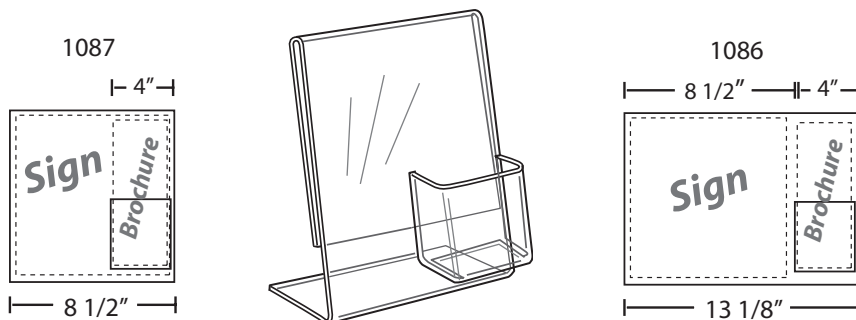
LARGE HANGING SIGN HOLDERS



Great for posters!

NUMBER **SIZE**
1397 14" x 22"
1399 22" x 28"

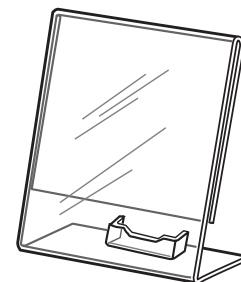
SIGN HOLDER w/ BROCHURE POCKET



Increase effectiveness by adding brochure a pocket to any brochure or sign holder. Pockets accomodate a 4" w x 9" h Tri- Fold Brochure

NUMBER	DESCRIPTION
1086	13⅛"w 11"h Sign Holder w/ attached pocket
1087	8½"w 11"h Sign Holder w/ attached pocket
1P	Add-A-Pocket Can Be attached to most acrylic displays

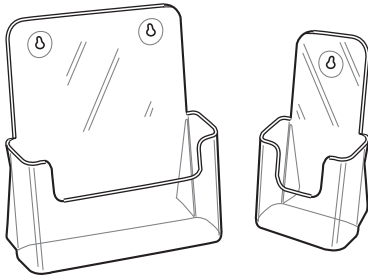
ADD-A-CARD



Increase the effectiveness of your sign or brochure holder by adding a business card holder.

NUMBER	DESCRIPTION
1C	Add-A-Card to almost any acrylic Item
1079	8½" X 11" Sign W/Card

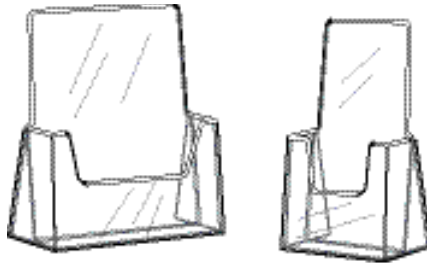
ECONOMY BROCHURE HOLDER



Molded plastic
Can be used on countertop or hung on the wall with the built in keyhole.

NUMBER	BROCHURE SIZE	
1081E2	4"w	9"h
1085E2	8½"w	11"h

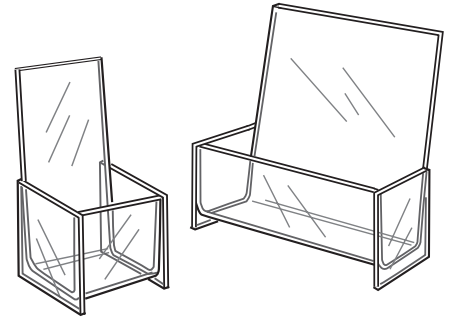
ECONOMY BROCHURE HOLDER



Molded plastic - Countertop Use

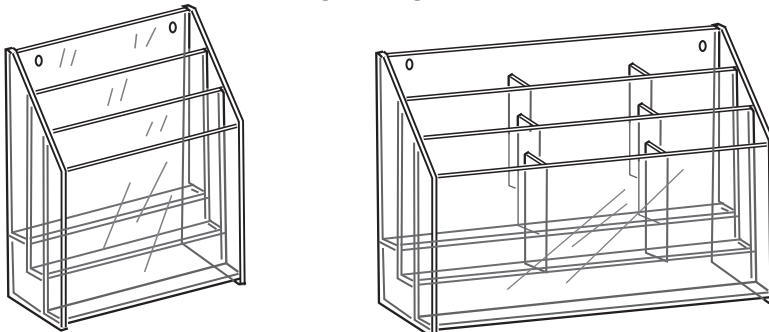
NUMBER	BROCHURE SIZE	
1081E	4"w	9"h
1096E	5½"w	9"h
1085E	8½"w	11"h

COUNTER BROCHURE HOLDERS



NUMBER	BROCHURE SIZE	
1081	4"w	9"h
1096	5½"w	9"h
1083	7½"w	9"h
1085	8½"w	11"h

3 TIER BROCHURE HOLDERS

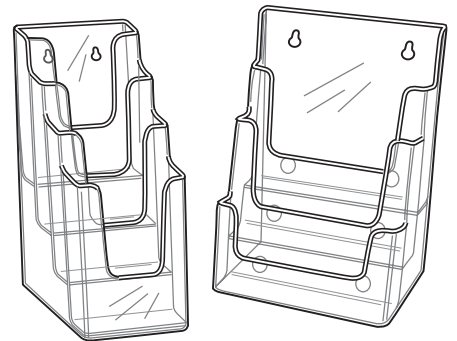


New improved design.
Can be used on counter or wallmounted.

3 Pocket	6 Pocket	9 Pocket	12 Pocket	BROCHURE SIZE	
1200	1201	1202	1203	4"w	9"h
1204	1205	1206	---	8½"w	11"h

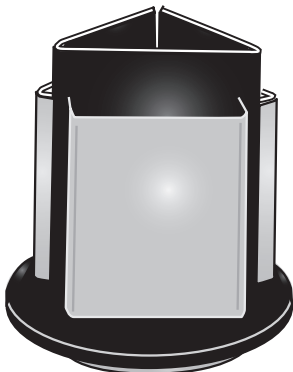
Also Available for Slatwall & Gridwall

3 & 4 TIER ECONOMY BROCHURE HOLDERS



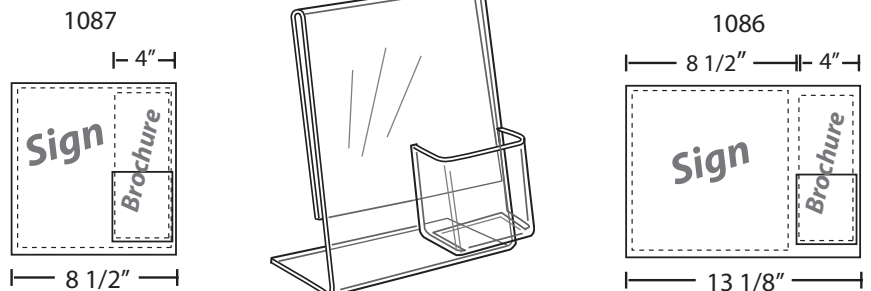
3 Tier	4 Tier	BROCHURE SIZE	
---	1207E	4"w	9"h
1204E	1209E	8½"w	11"h

REVOLVING BROCHURE HOLDER



NUMBER	BROCHURE SIZE	
1455	4"w	9"h
1457	8½"w	11"h

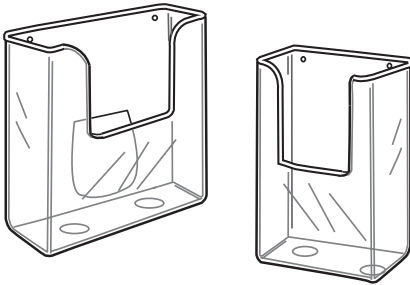
SIGN HOLDER w/ BROCHURE POCKET



Increase effectiveness by adding brochure a pocket to any brochure or sign holder. Pockets accomodate a 4"w x 9"h Tri- Fold Brochure

NUMBER	DESCRIPTION		
1086	13 1/8"w	11"h	Sign Holder w/ attached pocket
1087	8 1/2"w	11"h	Sign Holder w/ attached pocket
1P	Add-A-Pocket Can Be attached to most acrylic displays		

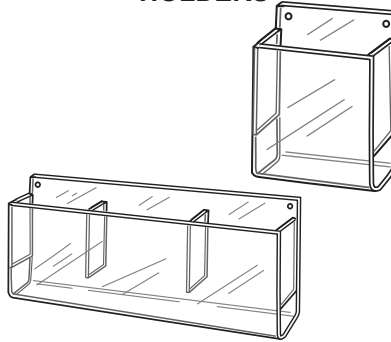
ECONOMY BROCHURE HOLDERS



Molded plastic

Wallmount	BROCHURE SIZE	
1080E	4"w	9"h
1095E	5½w	9"h
1084E	8½w	11"h

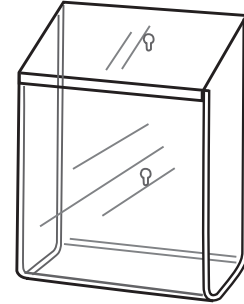
WALLMOUNT BROCHURE HOLDERS



Single	Double	Triple	DESCRIPTION
1080	1442	1444	for 4 x 9" Brochures
1095	----	----	for 5½" w x 9" h Brochures
1082	----	----	for 7½" w x 9" h Brochures
1084	1452	1454	for 8½" w x 11" h Brochures
1088	----	----	for 11" w x 8½" h Brochures

Also available for Slatwall & Gridwall

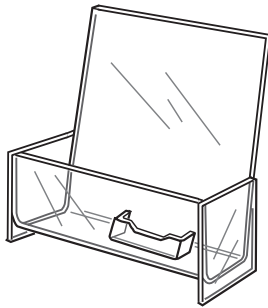
OUTDOOR BROCHURE HOLDERS



Enclosed brochure holders protect brochures from the elements in outdoor use.

NUMBER	BROCHURE SIZE	
1098	4"w	9"h
1099	8½"w	11"h

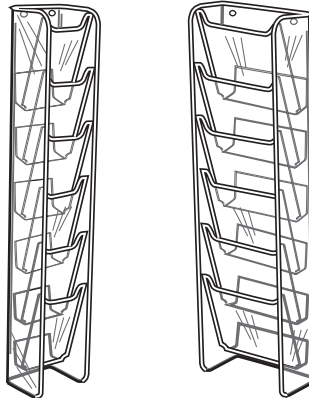
ADD-A-CARD



Increase the effectiveness of your sign or brochure holder by adding a business card holder.

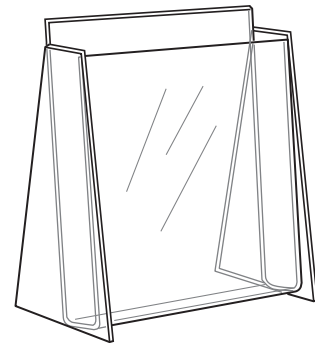
NUMBER	DESCRIPTION
1C	Add-A-Card
1081C	4" X 11" Brochure W/Card
1085C	8½" X 11" Brochure W/Card

6 POCKET WALLMOUNT BROCHURE HOLDER



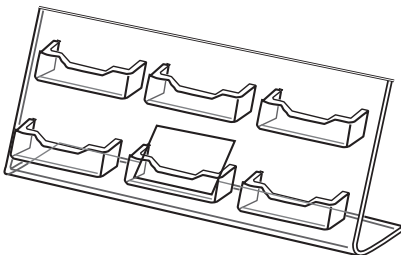
NUMBER	BROCHURE SIZE		DIMENSIONS
1248	4"w	9"h	4½"w 4"d 28"h
1249	8½w	11"h	9"w 5"d 30"h

DELUXE BROCHURE HOLDER



NUMBER	BROCHURE SIZE	
1089	9½w	11"h

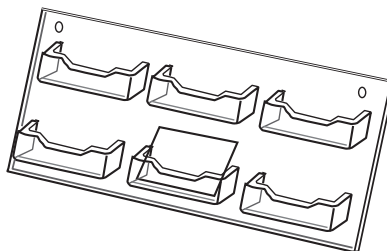
BUSINESS CARD STANDS



Counter Top

NUMBER	DESCRIPTION
1305	3 Business Card Pockets
1307	6 Business Card Pockets
1309	9 Business Card Pockets

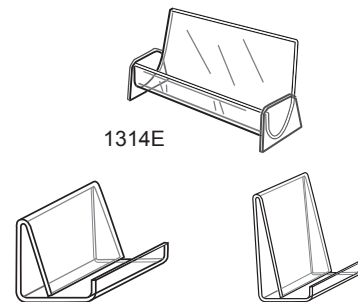
BUSINESS CARD STANDS



Wallmount

NUMBER	DESCRIPTION
1311	1 Business Card Pocket
1306	3 Business Card Pockets
1308	6 Business Card Pockets
1310	9 Business Card Pockets

BUSINESS CARD HOLDER



1314E

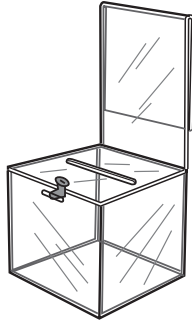
1312

1313

Counter Top

NUMBER	DESCRIPTION
1314E	Molded Business Card Holder
1312	Acrylic Horizontal Card Holder
1313	Acrylic Horizontal Card Holder

LOCKING BALLOT BOX WITH SIGN HOLDER



Easily display contest rules or your company's advertising information in attached sign holder.

NUMBER	DESCRIPTION
1038L	8½"w 8½"d 8½"h Box w/ 8½"w x 11"h Sign Holder

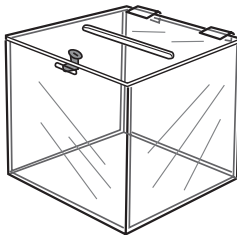
CHARITY COLLECTION BOX



5¼"w x 3"h x 3½"h Mini Charity Collection Box w/ 5"w x 7"h Signholder back. Locks with optional mini padlock

NUMBER	DESCRIPTION
1020	Mini Charity Collection Box
1021	Optional Mini Padlock

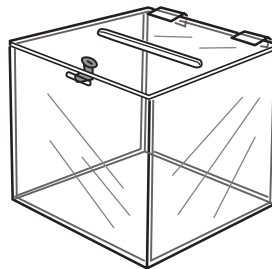
LOCKING BALLOT BOX SMALL



Locking clear acrylic ballot box. Perfect for raffles & drawings.

NUMBER	DESCRIPTION
1037	6"w 6"d 6"h

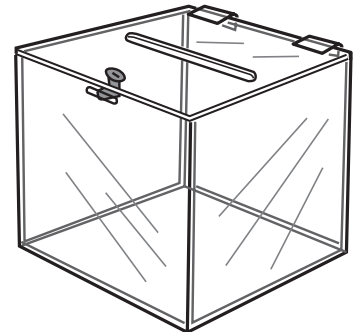
LOCKING BALLOT BOX MEDIUM



Locking clear acrylic ballot box. Perfect for raffles & drawings.

NUMBER	DESCRIPTION
1023	8"w 8"d 8"h

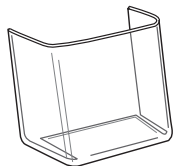
LOCKING BALLOT BOX LARGE



Locking clear acrylic ballot box. Perfect for raffles & drawings.

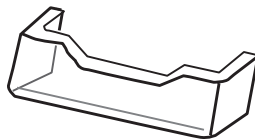
NUMBER	DESCRIPTION
1024	10"w 10"d 10"h

OPTIONAL ADD-ON POCKETS



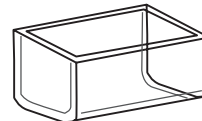
NUMBER	DESCRIPTION
1P	4⅛"w 1"d 4⅛"h

Attaches with:
Acrylic Solvent Glue



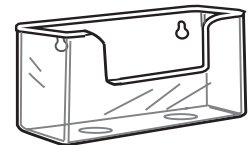
NUMBER	DESCRIPTION
1C	3½"w 1"d 1"h Business Card Size

Attaches with:
Acrylic Solvent Glue



NUMBER	DESCRIPTION
1120	3½"w 1"d 1"h Business Card Size

Attaches with:
White Double Stick Tape



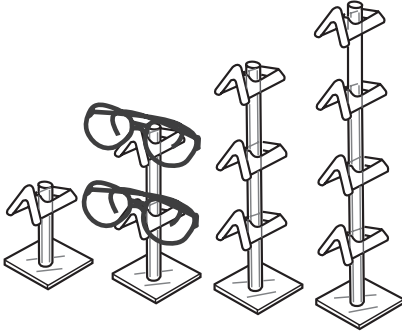
NUMBER	DESCRIPTION
1121	5⅛"w 1½"d 2½"h
1122	6"w 1½"d 3½"h

Attaches with:
White Double Stick Tape

Optional Add-On Pockets may be attached to ballot boxes, sign holders, brochure holders, or most other acrylic displays.

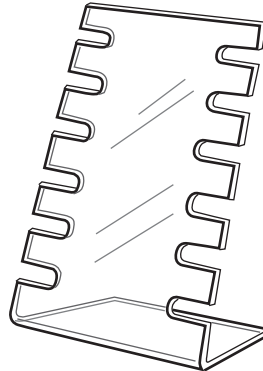
Please specify which attachment you would like and where it should be installed. Pockets that attach with double stick tape can be sent separately and you attach them yourself or we can do it for you.

FREE STANDING EYEWEAR POSTS



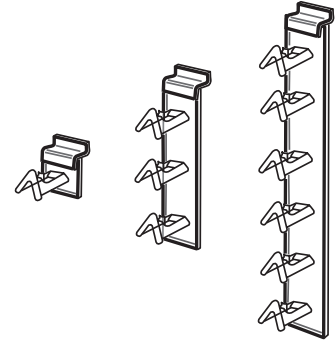
<u>NUMBER</u>	<u>DESCRIPTION</u>
1491	Holds 1 pair - 3" h
1492	Holds 2 pair - 6" h
1493	Holds 3 pair - 9" h
1494	Holds 4 pair - 12" h

COUNTERTOP EYEWEAR DISPLAYS



<u>NUMBER</u>	<u>DESCRIPTION</u>
1480	Holds 6 pair - 16" h
2480	For slatwall display

EYEWEAR DISPLAYS



<u>NUMBER</u>	<u>DESCRIPTION</u>
2486	Holds 1 pr, 3" h Slatwall
2487	Holds 3 pr, 11¼" h Slatwall
2488	Holds 6 pr, 23¾" h Slatwall
3488	Holds 6 pr, 23¾" h Gridwall

COUNTERTOP MIRRORS



<u>NUMBER</u>	<u>SIZE</u>	<u>DESCRIPTION</u>
1410	6"w 12"h	Glass Mirror / Acrylic Frame

COUNTERTOP MIRRORS



<u>NUMBER</u>	<u>SIZE</u>	<u>DESCRIPTION</u>
1411	9"w 12"h	Glass Mirror / Acrylic Frame

ACRYLIC SLATWALL & GRIDWALL MIRROR



Unique design can be hung onto either slatwall or gridwall.

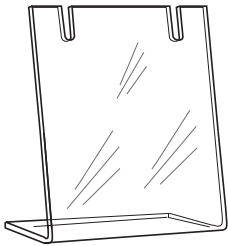
<u>NUMBER</u>	<u>SIZE</u>	<u>DESCRIPTION</u>
2091	9"w 12"h	Acrylic Mirror

COUNTERTOP MIRRORS



<u>NUMBER</u>	<u>SIZE</u>	<u>DESCRIPTION</u>
1091	9"w 12"h	Acrylic Mirror

SLANTBACK EARRING STANDS

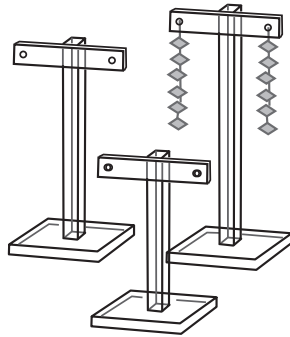


SIZE
2"w, 3"h

Can hold a single pair or will hold earring cards

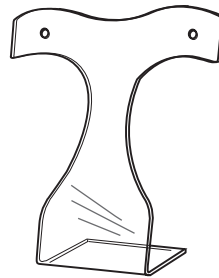
<u>NUMBER</u>	<u>DESCRIPTION</u>
1339	CLEAR
1339B	BLACK

T-BAR EARRING STANDS



<u>NUMBER</u>	<u>SIZE</u>
1332	3 1/4"h
1333	4 1/4"h
1334	5 1/4"h
1335	Set of 3

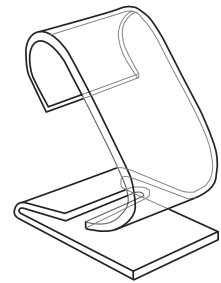
SINGLE PAIR EARRING DISPLAY



SIZE
3 1/8"w 4"h

<u>NUMBER</u>	<u>DESCRIPTION</u>
1338	CLEAR
1338B	BLACK

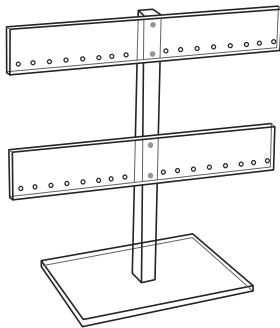
WATCH STAND



SIZE
1 3/8"w 3 1/8"h

<u>NUMBER</u>	<u>DESCRIPTION</u>
1372	CLEAR

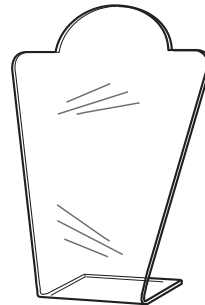
MULTIPLE EARRING DISPLAY



16 Pair Earring Displays
Holds Pierced or Carded Earrings

<u>NUMBER</u>	<u>DESCRIPTION</u>
1373	9"w x 8 1/4"h

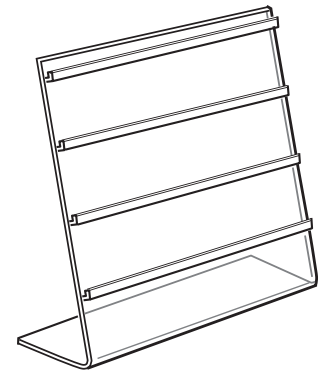
PENDANT DISPLAY



SIZE
3 5/8"w 5"h

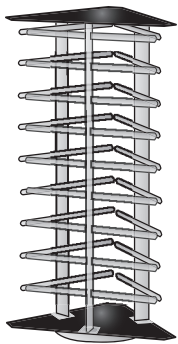
<u>NUMBER</u>	<u>DESCRIPTION</u>
1340	CLEAR
1340B	BLACK

CARDED EARRING DISPLAY



<u>NUMBER</u>	<u>SIZE</u>
1360	6"w 9"h for 3" Cards
1366	6"w 9"h for 2" Cards

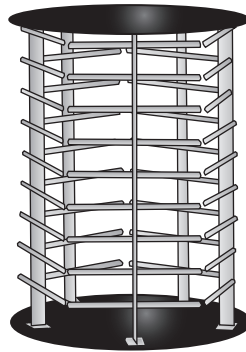
ROTATING EARRING DISPLAY



Clear crossbars with black acrylic base. Holds up to 108 2" cards.

<u>NUMBER</u>	<u>SIZE</u>
1376	19 1/2"h

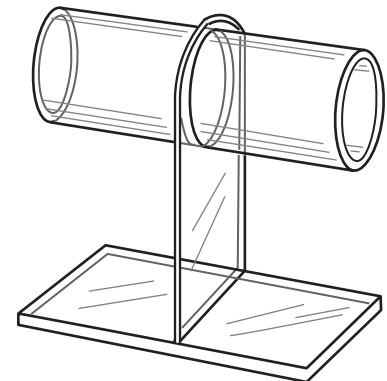
ROTATING EARRING DISPLAY



For carded earrings, pins, etc. Holds 180 2" cards.

<u>NUMBER</u>	<u>SIZE</u>
1379	19 1/2"h

BRACELET DISPLAY



Displays bracelets, bangles, etc.

<u>NUMBER</u>	<u>DESCRIPTION</u>
1325	5 1/4"w 5 1/4"h
1337	12 1/4"w 5 1/4"h

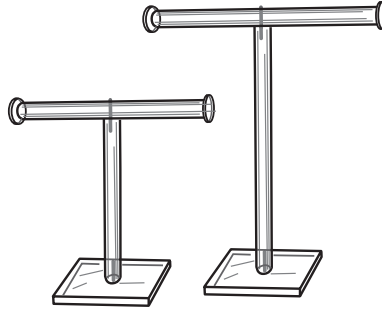
ROTATING NECKLACE DISPLAY



7" dia. top has 17 holes for necklaces

NUMBER	DESCRIPTION
1330	8" dia 12½"h
1331	8" dia 18½"h

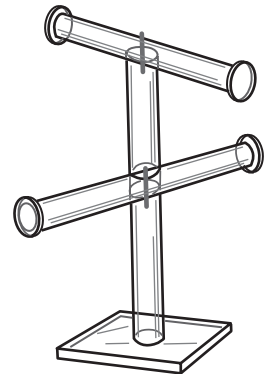
NECKLACE T-BARS



Item 1323 Bracelet T Bar.
items 1326 & 1327 Necklace T Bars.

NUMBER	DESCRIPTION
1323	11½"w 8"h 3/4" dia. Rod
1327	15½"w 15"h 1" dia. Rod
1326	15½"w 18"h 1" dia. Rod

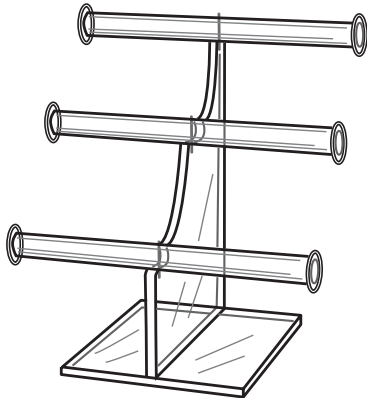
DOUBLE NECKLACE T-BAR



Displays necklaces, etc. at two levels
and at two angles

NUMBER	SIZE
1329	11½"w 16"h

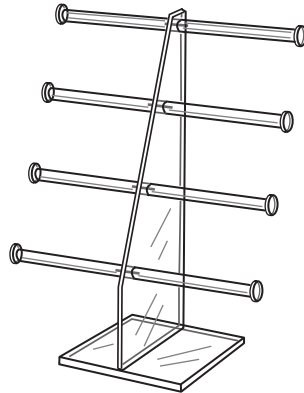
DELUXE BRACELET DISPLAY



Elegantly displays bracelets on three levels

NUMBER	SIZE
1328	11½"w 13"h

TIERED JEWELRY DISPLAY



Four tiered acrylic bracelet display

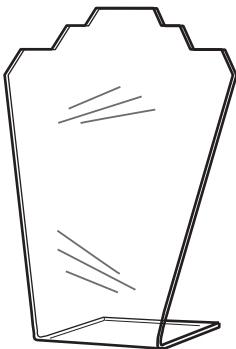
NUMBER	SIZE
1322	10½"w 13 ½"h

ACRYLIC HAND



NUMBER	SIZE
1371	8"w 11"h

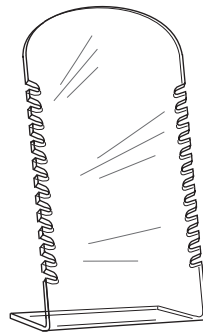
NECKLACE DISPLAY



SIZE
8⅛"w 11½"h

NUMBER	DESCRIPTION
1341	CLEAR
1341B	BLACK

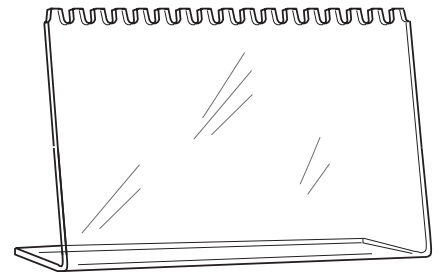
NECKLACE DISPLAY



SIZE
7½"w 13 ¼"h

NUMBER	DESCRIPTION
1342	CLEAR
1342B	BLACK

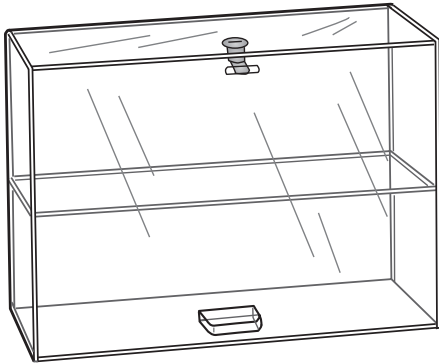
NECKLACE DISPLAY



SIZE
15 ⅜"w 11½"h

NUMBER	DESCRIPTION
1343	CLEAR
1343B	BLACK

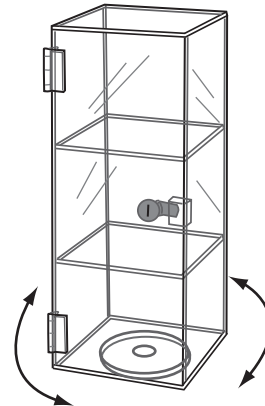
SLIDING DOOR SHOWCASES



NUMBER
1472

SIZE
16"w 7"d 12"h
Vertical door slides upward
locks with key lock.

LOCKING MINI TOWER SHOWCASE

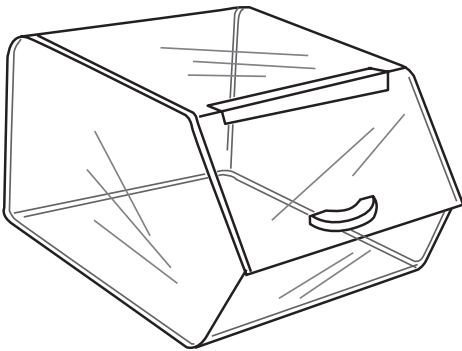


NUMBER
1474

SIZE
6"w 6"d 16"h
with 3 shelves

1473 Same as 1474 but rotating

FOOD BIN

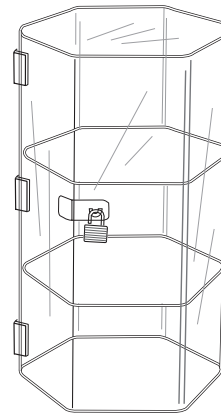


Perfect to display and dispense candies, muffins, and other bulk food items.

NUMBER
1950

SIZE
8"w 12½"d 8½"h

HEXAGON SHOWCASE

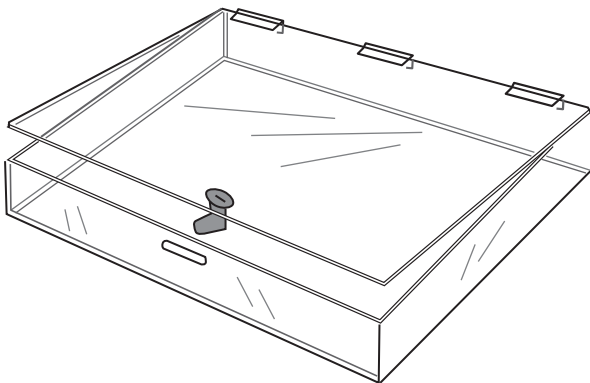


NUMBER
1479

SIZE
11¾"w 10¾"d 21"h
with 3 flat shelves

1021 Optional Mini Padlock

FLAT ACRYLIC SHOWCASE

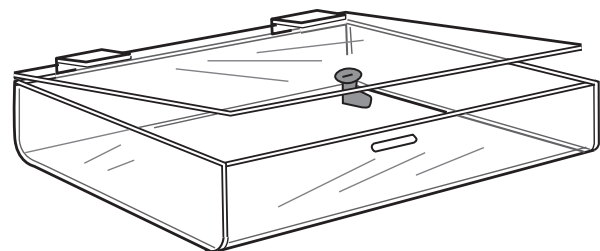


Perfect for jewelry, knives, trading cards, etc.

NUMBER
1464

SIZE
24"w 3"d 18"h
with locking top

LOCKING TRAY CASES



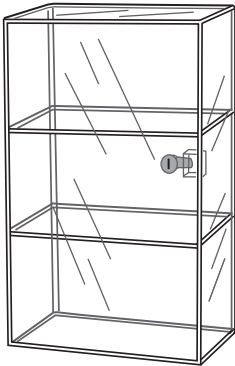
Perfect to display small items such as jewelry, cigars, etc. in a flat case with locking lid/

NUMBER
1460

SIZE
12"w 8"d 2"h

1461 16"w 12"d 4"h

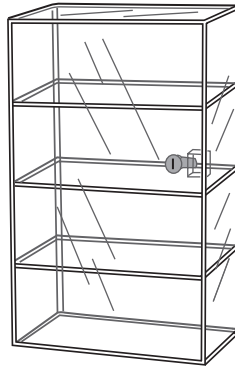
LOCKING ACRYLIC SHOWCASES



NUMBER
1471

SIZE
13"w 7½"d 21"h
with 3 flat shelves

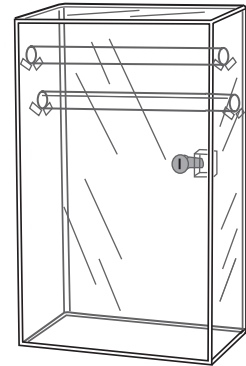
2471 1471 with Slatwall bracket



NUMBER
1470

SIZE
13"w 7½"d 21"h
with 4 flat shelves

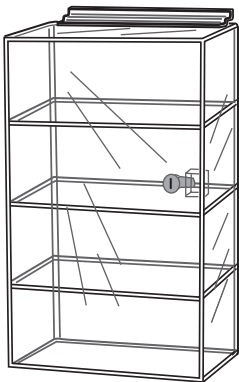
2470 1470 with Slatwall bracket



NUMBER
1469

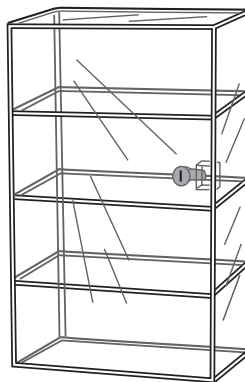
SIZE
13"w 7½"d 21"h
with 2 jewelry bars

LARGE LOCKING ACRYLIC SHOWCASES



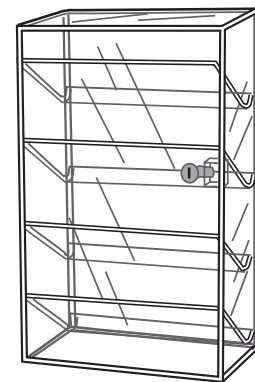
NUMBER
2475

SIZE
15½"w 8½"d 24"h
with 4 flat shelves
& Slatwall bracket



NUMBER
1475

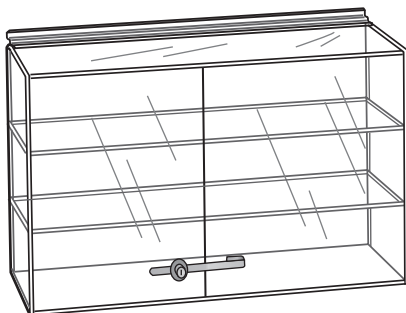
SIZE
15½"w 8½"d 24"h
with 4 flat shelves



NUMBER
1476

SIZE
15½"w 8½"d 24"h
with 4 slanted shelves
Holds Standard
14¾" Jewelry Trays

LOCKING DOUBLE DOOR SHOWCASES



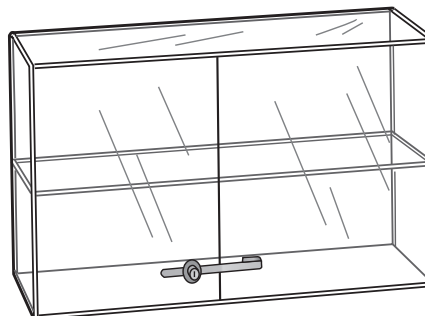
SIZE
8"w 12½"d 8½"h

NUMBER
2467

DESCRIPTION
2 Flat Shelves - Slatwall Mount

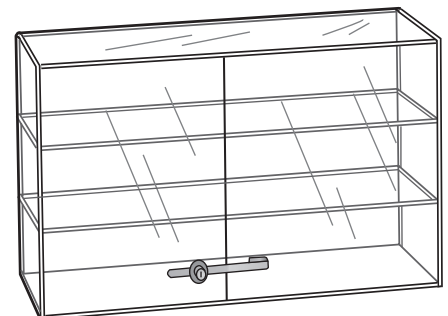
NUMBER
2468

DESCRIPTION
3 Flat Shelves - Slatwall Mount



NUMBER
1467

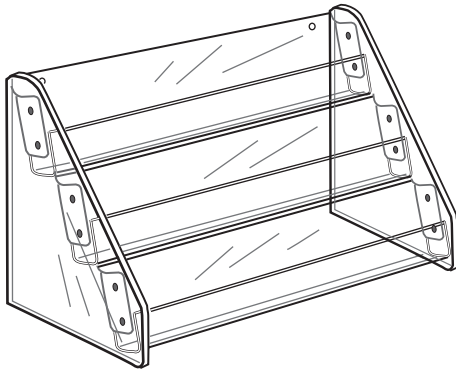
SIZE
21"w 7½"d 13"h
with 2 flat shelves



NUMBER
1468

SIZE
21"w 7½"d 13"h
with 3 flat shelves

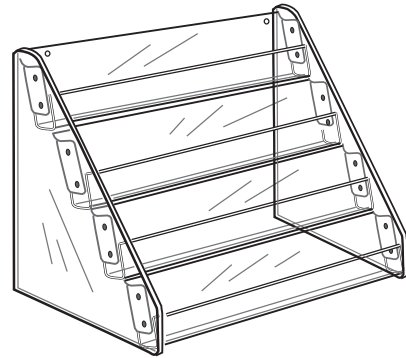
TILT BACK CARD RACKS



Each shelf is 21"w x 1¾"d inside
Shipped knocked down for easy assembly.
Countertop or Wallmount

<u>NUMBER</u>	<u>DESCRIPTION</u>	<u>SIZE</u>
1358	3 Tier	21"w 8"d 13½"h

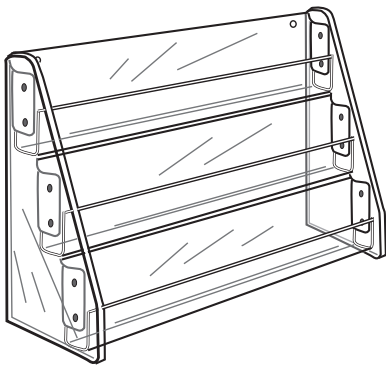
TILT BACK CARD RACKS



Each shelf is 21"w x 1¾"d inside
Shipped knocked down for easy assembly.
Countertop or Wallmount

<u>NUMBER</u>	<u>DESCRIPTION</u>	<u>SIZE</u>
1359	4 Tier	21"w 10½"d 17½"h

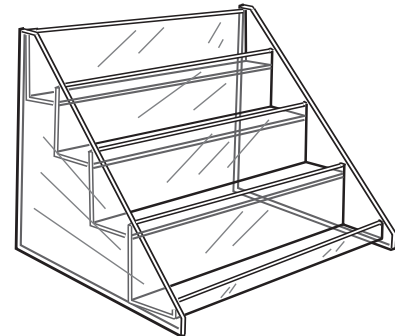
3 TIER CARD & VIDEO RACK



Each shelf is 21"w x 1¾"d inside
Shipped knocked down for easy assembly.
Countertop or Wallmount

<u>NUMBER</u>	<u>DESCRIPTION</u>	<u>SIZE</u>
1349	3 Tier	21"w 6"d 14½"h

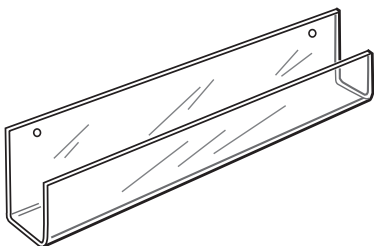
4 TIER DISPLAY



¼" thick acrylic with a ¾" front lip.
For wallets, leather goods, etc.
Overall dimensions:
15½"w x 11"d x 12¾"h

<u>NUMBER</u>	<u>DESCRIPTION</u>
1216	Countertop

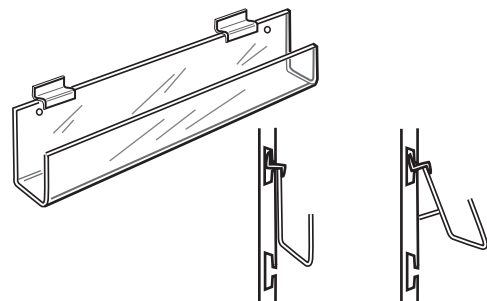
WALLMOUNT CARD RACKS



These racks slope downward and are perfect for displaying greeting cards, books, videos and software.

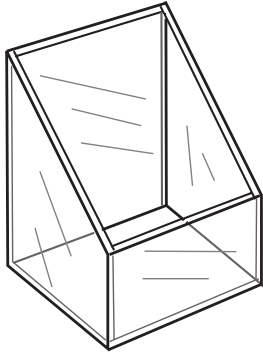
<u>NUMBER</u>	<u>SIZE</u>	
1270	11¾"w	Open End
1273	11¾"w	Closed End
1275	23¾"w	Open End
1278	23¾"w	Closed End
1291	35¾"w	Open End
1293	47¾"w	Open End

SLATWALL CARD RACKS



<u>DESCRIPTION</u>	<u>NO TILT NUMBER</u>	<u>WITH 20° TILT NUMBER</u>
11¾" Open Ends	2270	2370
11¾" Closed Ends	2273	2373
23¾" Open Ends	2275	2375
23¾" Closed Ends	2278	2378
35¾" Open Ends	2291	2391
47¾" Open Ends	2293	2393

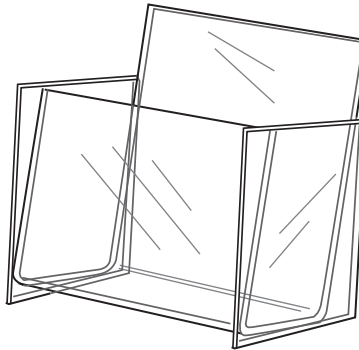
CD RACK



Inexpensive bin display

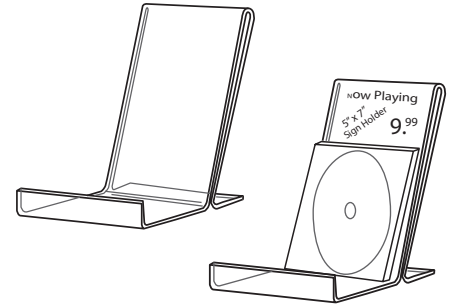
NUMBER	SIZE
1281	6w" 5¼"d 6¾"h

COUNTERTOP CD RACK



NUMBER	SIZE
1282	6w" 4½"d 6½"h

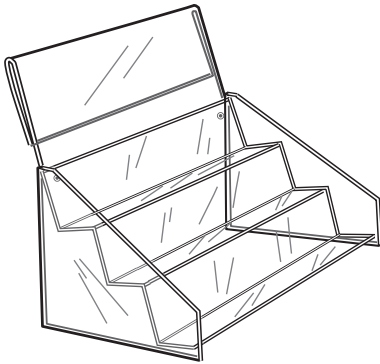
CD EASEL w/ SIGN HOLDER



Holds 5 standard CDs
Built In 5½" Wide x 7" high Sign Holder

NUMBER	DESCRIPTION
1295	5½"w 3½"d 7"h

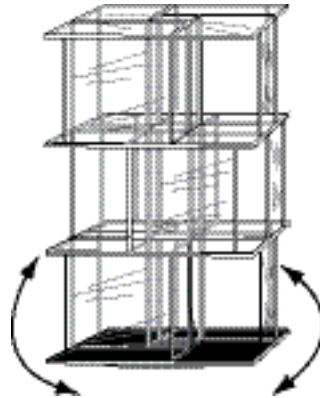
CD STAIRWAY



For use on the countertop

NUMBER	SIZE
1279	12"w 8"d 9"h Stairway
1280	11½"w x 6"h Optional Header

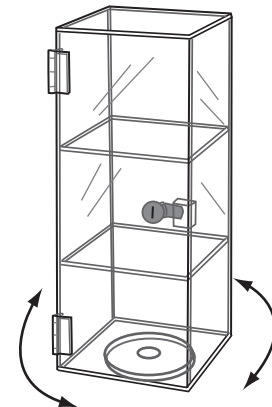
CD 12 POCKET TOWER



Holds 96 CD's

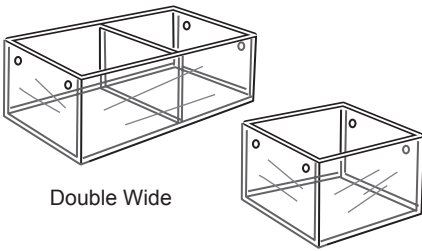
NUMBER	SIZE
1289	9½"w 9½"d 17"h

MINI TOWER SHOWCASE



NUMBER	SIZE
1474	6"w 6"d 16"h with 3 shelves
1473	Same as 1474 but rotating

SINGLE BINS

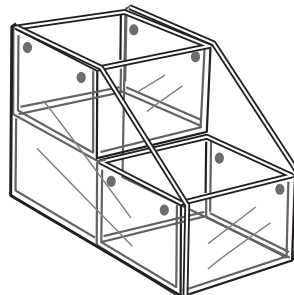


Double Wide

Single Wide

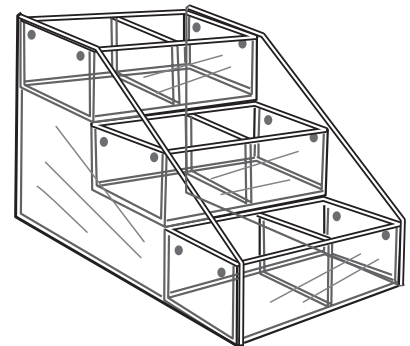
NUMBER	SIZE
1283	6¼"w 6"d 4"h
1284	12¼"w 6"d 4"h

TWO TIER BINS



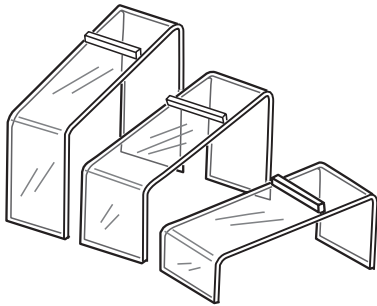
NUMBER	DESC	SIZE
1285	Single Wide	6⅝"w 12"d 8"h
1286	Double Wide	12⅝"w 12"d 8"h

THREE TIER BINS



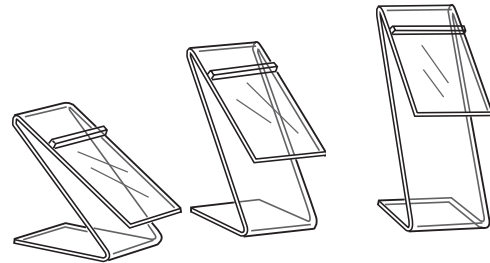
NUMBER	DESC	SIZE
1287	Single Wide	6⅝"w 18"d 12⅛"h
1288	Double Wide	12⅝"w 18"d 12⅛"h

SLANT SHOE RISERS



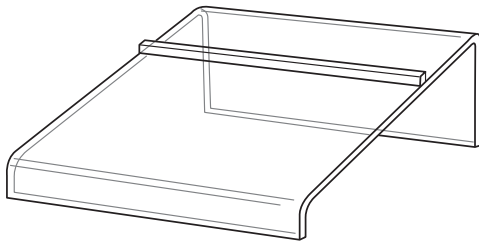
<u>NUMBER</u>	<u>SIZE</u>		
1232A	9"l	4"w	5"h
1232B	9"l	4"w	7"h
1232C	9"l	4"w	9"h
1233	Set of 3		

Z BEND SHOE RISERS



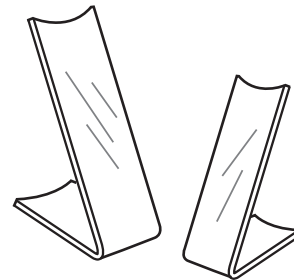
<u>NUMBER</u>	<u>SIZE</u>	
1235	3"w	5"h
1236	3"w	6½"h
1237	3"w	8"h
1238	Set of 3	

DOUBLE WIDE SLANT SHOE RISERS



<u>NUMBER</u>	<u>SIZE</u>		
1234	9"l	8"w	3"h

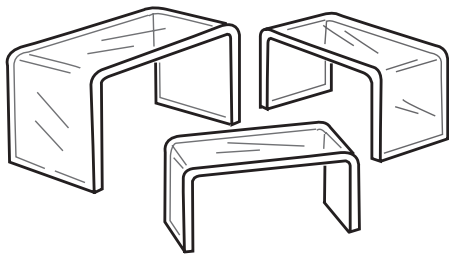
SMALL SHOE RESTS



Clear 1/8" Acrylic

<u>NUMBER</u>	<u>SIZE</u>	
1240	1"w	2½"h
1241	1 3/8"w	4¼"h

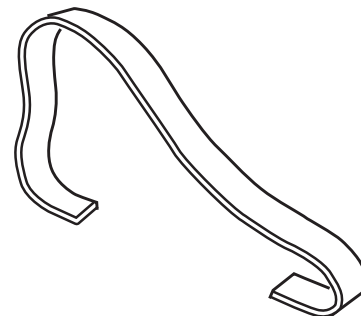
FLAT SHOE RISERS



Clear ¼" Acrylic

<u>NUMBER</u>	<u>SIZE</u>		
1058A	8"w	4"d	4"h
1058B	10"w	5"d	5"h
1058C	12"w	6"d	6"h
1058	Set of 3		

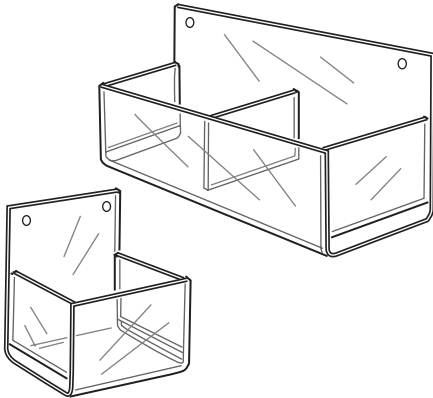
ACRYLIC SHOE INSERT



Insert into shoes so they retain their natural shape.

<u>NUMBER</u>	<u>SIZE</u>	
1239	9"l	5"h

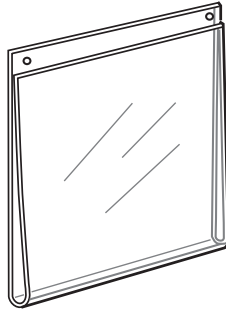
HOSIERY DISPLAYS



7" wide pocket for packaged hosiery.

NUMBER	DESCRIPTION	SIZE
1420	Single Wide	7¾"w 4¾"d
1421	Double Wide	15½"w 4¾"d

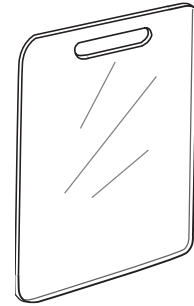
WALLMOUNT T-SHIRT DISPLAYS



Holds a folded T-shirt to display designs.
Clear acrylic, 13"w x 13¾"h

NUMBER	DESCRIPTION
1400	Wallmount
2400	Slatwall
3400	Gridwall
1401	Folding Insert

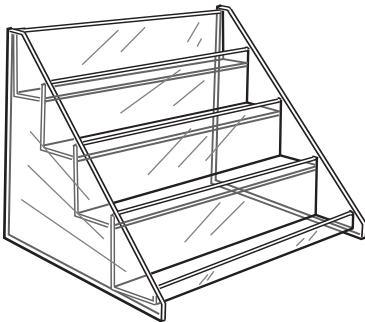
SHIRT FOLDING BOARDS



Fold shirts around these boards for neat folds every time.

NUMBER	SIZE	DESCRIPTION
1300	8"w 12"h	Small
1301	8½"w 12"h	Small
1304	9"w 12"h	Med.
1302	10"w 12"h	Med.
1303	11"w 12"h	Large

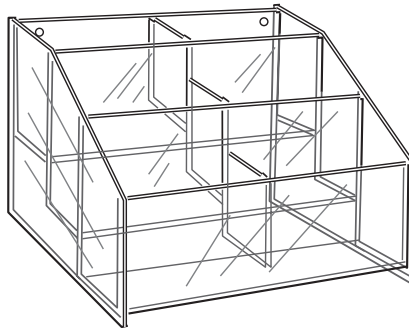
4 TIER DISPLAY



¼" thick acrylic with a ¾" front lip.
For wallets, leather goods, etc.
Overall dimensions:
15½"w x 11"d x 12¾"h

NUMBER	DESCRIPTION
1216	Countertop

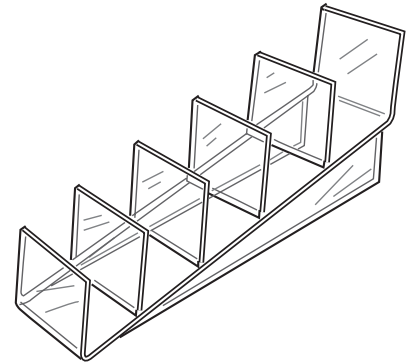
HOSIERY DISPLAYS



Can be used on countertop or wall mounted.
Each compartment is 7½" wide

NUMBER	DESCRIPTION
1347	15¾"w 11¾"d 11½"h

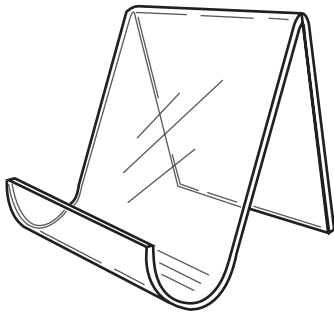
CLUTCH BAG DISPLAY



Holds 5 clutch bags.

NUMBER	DESCRIPTION
1211	4"w 16"d Each compartment is 2¾"w

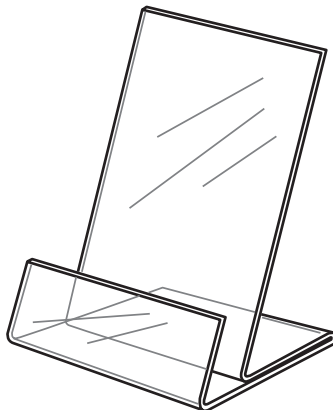
WIDE OPENING EASELS



3" Opening, great for handbags.

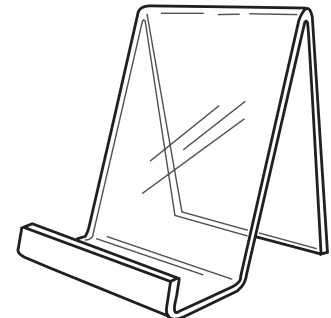
NUMBER	DESCRIPTION
1061	3½"w 5½"h
1063	5½"w 6"h
1065	7½"w 8"h

FOLDED SHIRT EASEL



NUMBER	DESCRIPTION
1078	7"w 12"h w/ 3" Lip, ¼" Opening

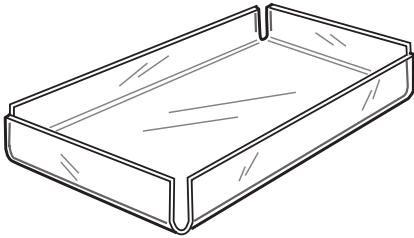
DEEP EASELS



3" Opening for thick boxed items.

NUMBER	DESCRIPTION
1071	3½"w 5½"h
1073	5½"w 6"h
1075	7½"w 8"h

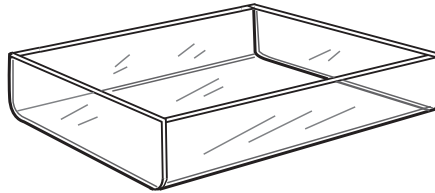
ECONOMY TRAYS



Great for candy.

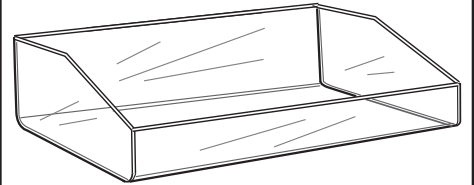
NUMBER	SIZE		
1264	10"w	8"d	1¼"h
1266	12"w	8"d	1¼"h
1268	15"w	8"d	1¼"h

DELUXE ACRYLIC TRAYS



NUMBER	SIZE		
1210	8w	4"d	2"h
1214	12"w	4"d	2"h
1218	12"w	8"d	2"h
1222	16"w	8"d	2"h
1223	24"w	8"d	2"h
1219	12"w	6"d	4"h
1229	16"w	8"d	4"h
1230	24"w	8"d	4"h

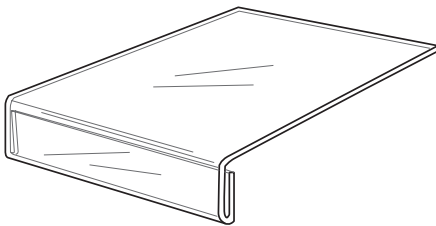
ACRYLIC TRAY



Deluxe Acrylic Tray is perfect to display merchandise on the countertop or shelves. Sloping sides are 2¼"h in front, 4"h in back

NUMBER	SIZE	
1231	16"w	6"d

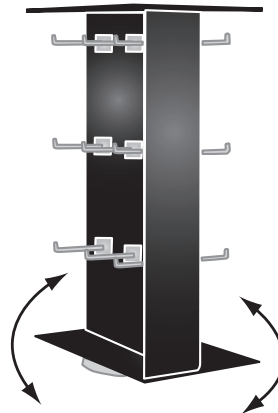
SHELF TALKER



Rests on top of shelves and Insert a 1½"h x 10"w sign.

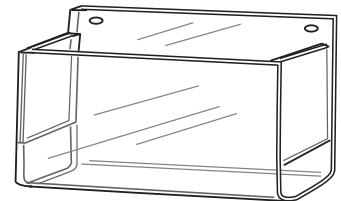
NUMBER	SIZE	
1140	10"w	12"d

ROTATING HOOK DISPLAY



NUMBER	SIZE		
1941	8"w	6½"d	12½"h

POST CARD POCKETS



Display a single facing of post cards.

NUMBER	SIZE	
1145	6"w	1½"d 3½"h

NOVUS 1 ACRYLIC CLEANER



To clean acrylic without scratching use Novus 1 spray cleaner.

NUMBER	SIZE
1253	8oz Bottle

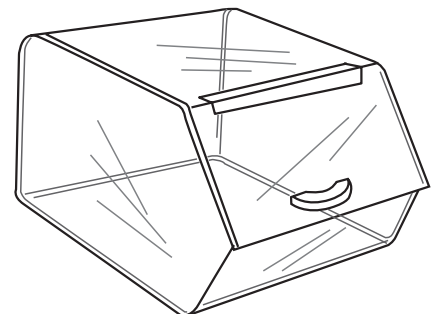
NOVUS 2 ACRYLIC POLISH



Use Novus 2 to polish and remove fine scratches, Novus 3 is for deep scratches. Works on acrylic and most plastics.

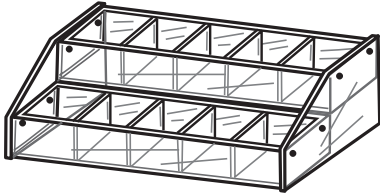
NUMBER	SIZE
1254	8oz Novus 2
1255	8oz Novus 3

FOOD BIN



NUMBER	SIZE	
1950	8"w	12½"d 8½"h

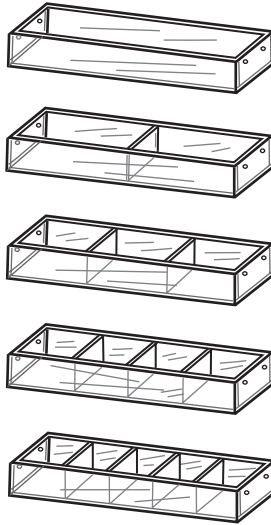
TWO TRAY RACK



Choose any combination of divided trays to make the best display for you.

NUMBER	DESCRIPTION
1532	16½" w 8" d 6½" h

SINGLE AND MULTIPLE TRAY DISPLAYS



Ideal for displaying gems, beads, and other small items in a compact space.

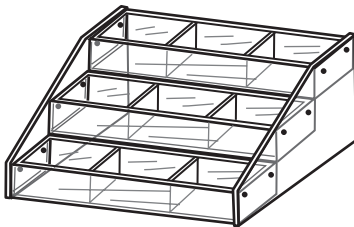
Order trays individually or as multi bin racks. Bins may be mixed and matched to make the perfect display for your items.

For tiered displays, specify the trays that would best suit your needs.

NUMBER	DESCRIPTION
1511	1 Compartment
1512	2 Compartment
1513	3 Compartment
1514	4 Compartment
1515	5 Compartment

All trays are 16" w 4" d 3" h
All tray displays available for Slatwall & Gridwall

THREE TRAY RACK



Choose any combination of divided trays to make the best display for you.

NUMBER	DESCRIPTION
1533	16½" w 12" d 9½" h

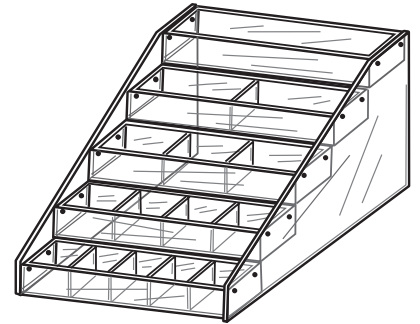
FOUR TRAY RACK



Choose any combination of divided trays to make the best display for you.

NUMBER	DESCRIPTION
1534	16½" w 16" d 12½" h

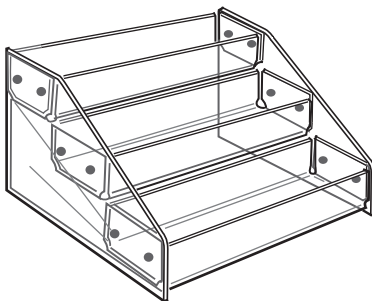
FIVE TRAY RACK



Choose any combination of divided trays to make the best display for you.

NUMBER	DESCRIPTION
1535	16½" w 20" d 15½" h

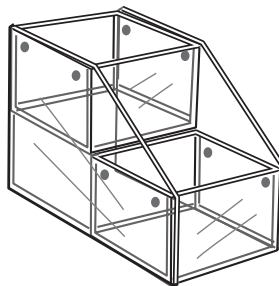
HOSIERY DISPLAYS



For mugs, figurines, candles, etc.
Shelf dimension:
12½" w x 3¾" d

NUMBER	DESCRIPTION
1348	3 Tier
1357	4 Tier

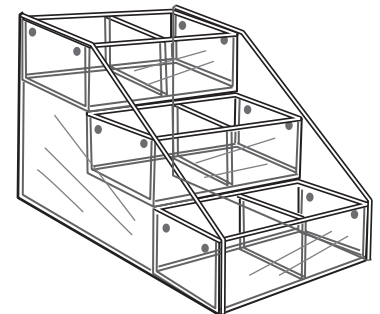
TWO TIER BIN DISPLAY



These acrylic bins are great for CD's.

NUMBER	DESC	SIZE
1285	Single Wide	6 ⁵ / ₈ " w 12" d 8" h
1286	Double Wide	12 ⁵ / ₈ " w 12" d 8" h

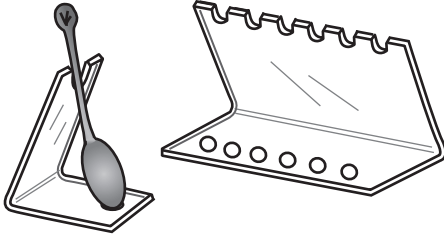
THREE TIER BIN DISPLAY



Great for CD's

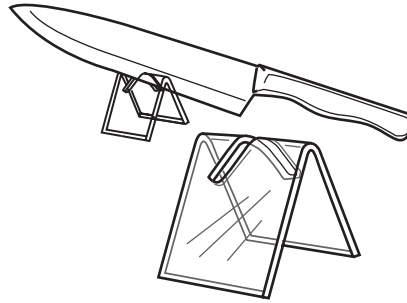
NUMBER	DESC	SIZE
1287	Single Wide	6 ⁵ / ₈ " w 18" d 12 ¹ / ₈ " h
1288	Double Wide	12 ⁵ / ₈ " w 18" d 12 ¹ / ₈ " h

SPOON STANDS



NUMBER	DESCRIPTION
1910	2" w - Holds 1 pen
1911	6¾" w - Holds 6 pens

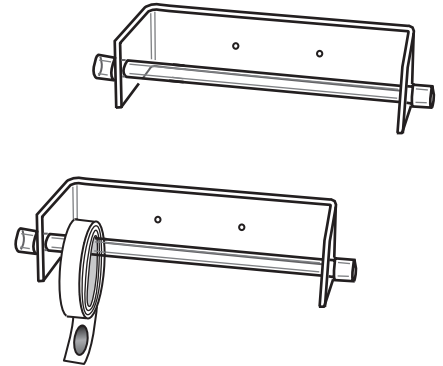
KNIFE STAND



Place knife blade in the groove to display knife at an angle.

NUMBER	SIZE
1920	2" h

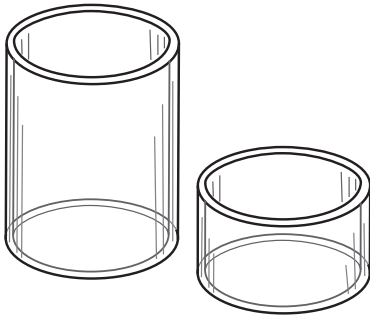
WALL MOUNT STICKER RACK



Acrylic spindle allows for easy distribution.

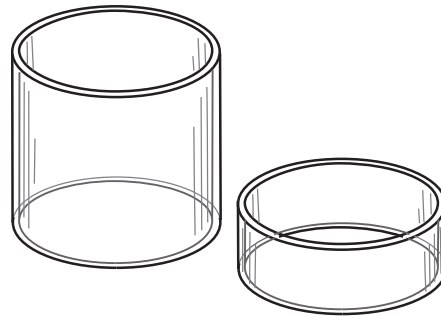
NUMBER	SIZE
1297	12½" w 5" d 3" h

ACRYLIC EGG & SPHERE STANDS STANDS



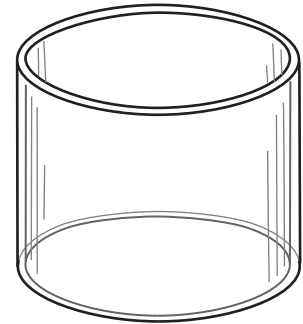
NUMBER	DESCRIPTION
1561	2" dia. 1" h
1562	2" dia. 2" h

ACRYLIC EGG & SPHERE STANDS STANDS



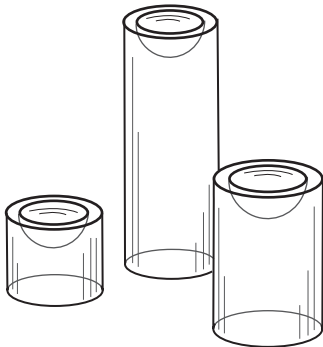
NUMBER	DESCRIPTION
1565	3" dia. 1" h
1566	3" dia. 2" h

ACRYLIC EGG & SPHERE STANDS STANDS



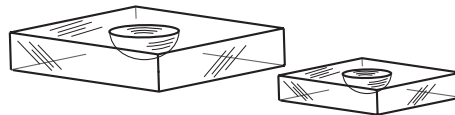
NUMBER	DESCRIPTION
1571	4" dia. 2" h

ACRYLIC DIMPLE RISERS



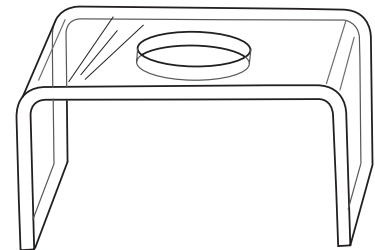
NUMBER	DESCRIPTION	DIMPLE
1545	1" dia. 1" h	¾" Dimple
1546	1" dia. 2" h	¾" Dimple
1547	1" dia. 3" h	¾" Dimple
1548	Set of 3	

ACRYLIC DIMPLE BLOCKS



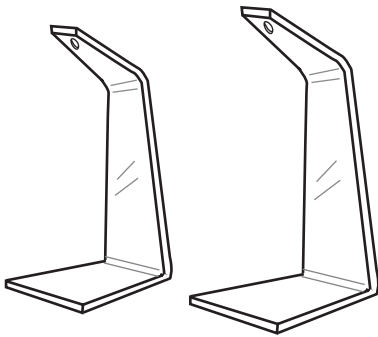
NUMBER	DESCRIPTION	DIMPLE
1540	1" w 1" d ¼" h	½" Dimple
1541	1¼" w 1¼" d ⅜" h	¾" Dimple

EGG & SPHERE RISERS



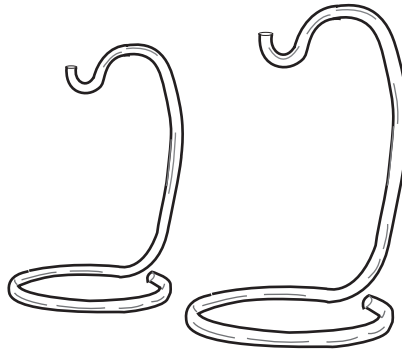
NUMBER	DESCRIPTION	DIMPLE
1556	2" w 2" d 1¼" h	¾" Hole
1557	3" w 3" d 1½" h	1" Hole

ORNAMENT STANDS



<u>NUMBER</u>	<u>DESCRIPTION</u>
1585	5½"h
1586	8½"h

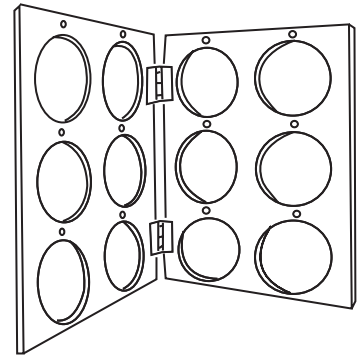
ORNAMENT STANDS



Our most popular ornament stand.

<u>NUMBER</u>	<u>DESCRIPTION</u>
1581	5½"h
1583	8"h

MULTIPLE ORNAMENT STAND



Holds 12 ornaments. Clear Acrylic

<u>NUMBER</u>	<u>SIZE</u>	<u>DESCRIPTION</u>
1590	13"h	12ea 3" holes
1591	17"h	12ea 5" holes

SPIRAL ORNAMENT STANDS



One of our most unique and popular stands ever

DESCRIPTION
5 lb. Capacity

<u>NUMBER</u>	<u>DESCRIPTION</u>
1598	Holds 12 Items

CEILING TURNER



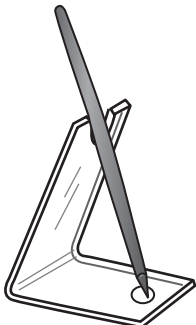
Works great with item #9990 spiral ornament display.

Runs continuously for 1 month on 1 D Cell battery

<u>NUMBER</u>	<u>DESCRIPTION</u>
1599	5 lb. Capacity

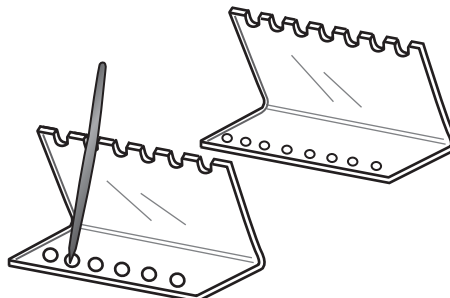
Pen Stands

PEN STANDS



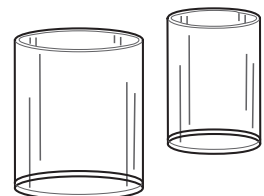
<u>NUMBER</u>	<u>DESCRIPTION</u>
1910	2"w - Holds 1 Pen

TILT BACK PEN DISPLAY



<u>NUMBER</u>	<u>DESCRIPTION</u>
1911	6¾"w - Holds 6 pens
1901	6¾"w - Holds 8 pens

PEN CYLINDERS



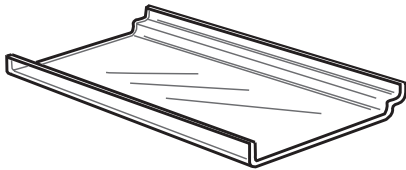
2" diameter

<u>NUMBER</u>	<u>DESCRIPTION</u>
1600	3"h
1611	4"h

3" diameter

<u>NUMBER</u>	<u>DESCRIPTION</u>
1605	3½"h
1606	5"h

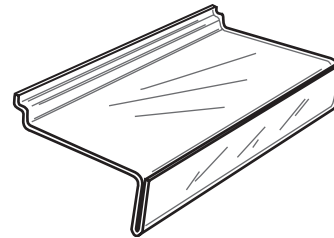
SLATWALL SHELVES W/LIP



ECONOMY

NUMBER	DISC.
2820	9"w 4"d
2823	10"w 5"d
2824	12"w 6"d

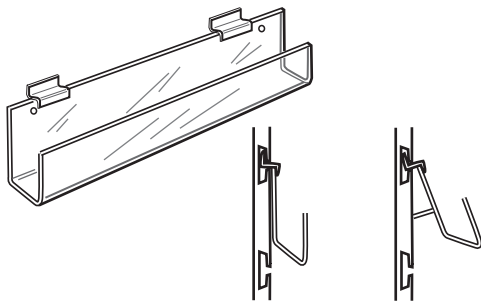
SLATWALL SHELVES WITH SIGNHOLDER



Great for shoes

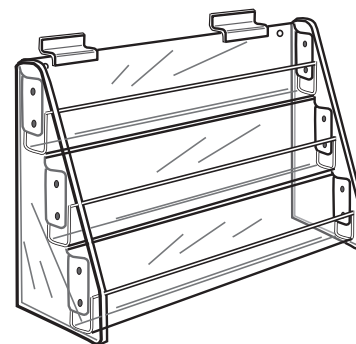
NUMBER	DESCRIPTION
2026	10"w 4"d

SLATWALL CARD RACKS



DESCRIPTION	NO TILT NUMBER	WITH 20° TILT NUMBER
11¾" Open Ends	2270	2370
11¾" Closed Ends	2273	2373
23¾" Open Ends	2275	2375
23¾" Closed Ends	2278	2378
35¾" Open Ends	2291	2391
47¾" Open Ends	2293	2393

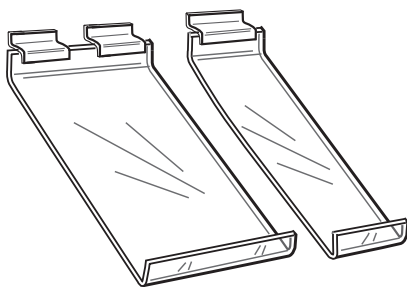
SLATWALL CARD & VIDEO RACK



Each shelf is 21"w x 1¼"d
Shipped K/D down for easy assembly.

NUMBER	SIZE	SIZE	SIZE
2349	3 Tier	21"w 6"d	14½"h
2358	3 Tier Tilted	21"w 8"d	13½"h
2359	4 Tier Tilted	21"w 10½"d	17½"h

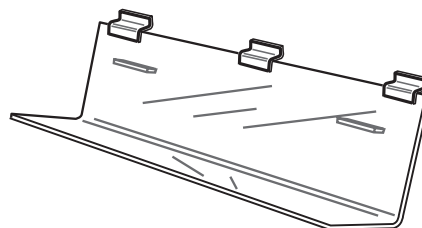
SLANTED SHELVES



Perfect for books, stationery and packaged apparel.

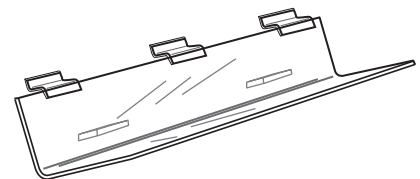
NUMBER	DESCRIPTION
2085	3"w 10"d
2087	7"w 10"d
2194	16"w 12"d
2197	24"w 12"d

SLATWALL BOOK SHELF



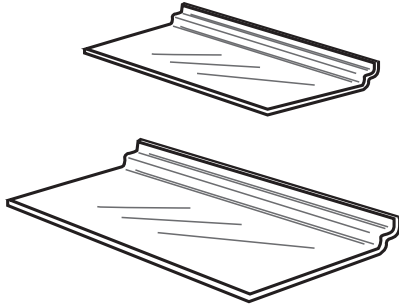
NUMBER	DESCRIPTION
2602	23¾"w 5"d 6"h
2603	47¾"w 5"d 6"h

SLATWALL CD SHELF



NUMBER	DESCRIPTION
2601	23¾"w 4"d 3"h

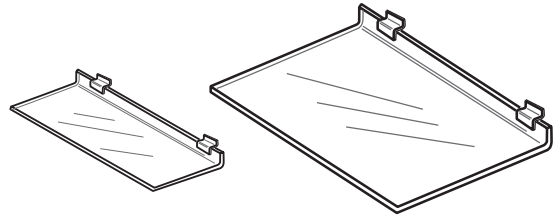
ECONOMY SLATWALL SHELVES



Perfect for lighter items

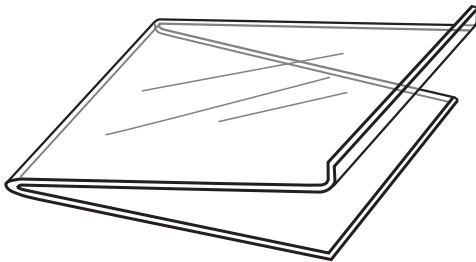
NUMBER	DESCRIPTION
2018	6"w 3"d
2020	9"w 4"d
2021	10"w 4"d
2024	12"w 6"d

DELUXE SLATWALL SHELVES



NUMBER	DESCRIPTION
2000	8"w 4"d
2002	10"w 4"d
2005	12"w 6"d
2006	12"w 6"d
2014	16"w 6"d
2007	12"w 8"d
2009	16"w 8"d
2011	24"w 8"d
2013	16"w 12"d
2015	24"w 12"d

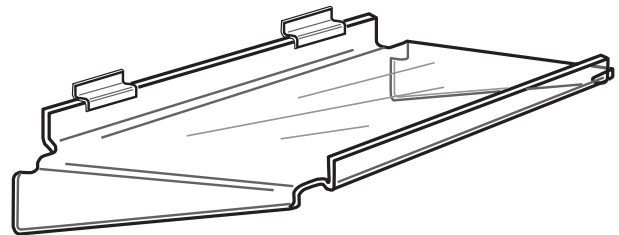
EXTRA HEAVY DUTY SLATWALL SHELVES



Design disperses the weight on this shelf over two slatwall grooves making this the strongest and most stable acrylic slatwall shelf available. Stable even if bumped, and all exposed corners are rounded for safety

NUMBER	DESCRIPTION
2261	11¾"w 9"d

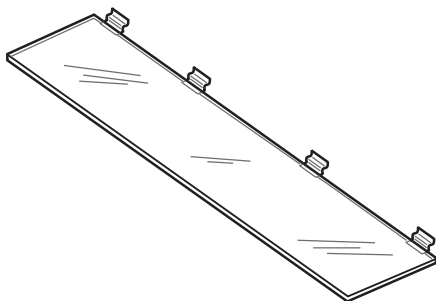
BRACED SLATWALL SHELVES



Braced shelves are perfect for heavy loads. 1" high front lip keeps items from falling off shelves.

NUMBER	DESC.
2256	16"w 10"d
2258	24"w 14"d

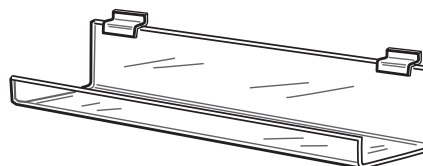
MAXI LENGTH SHELVES



For light items

NUMBER	DESCRIPTION
2180	24"w 4"d
2181	36"w 4"d
2182	48"w 4"d
2183	24"w 6"d
2184	36"w 6"d
2185	48"w 6"d

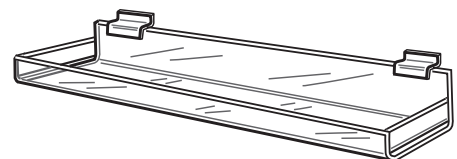
LARGE SLATWALL J-RACK SHELVES



5¼"d, 6½"h back with front lip. Holds books, videos, software, etc.

NUMBER	DESCRIPTION
2207	23¾"w
2307	23¾"w W/10° Tilt
2208	35¾"w
2308	35¾"w W/10° Tilt
2209	47¾"w
2309	47¾"w W/10° Tilt

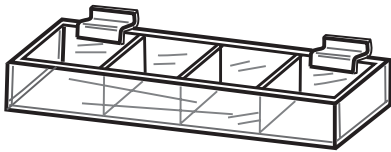
SLATWALL SHELF



4" Deep with a front lip. For mugs, cups and other small items.

NUMBER	DESCRIPTION
2361	11¾"w Open Ends
2362	11¾"w Closed Ends
2363	23¾"w Open Ends
2364	23¾"w Closed Ends

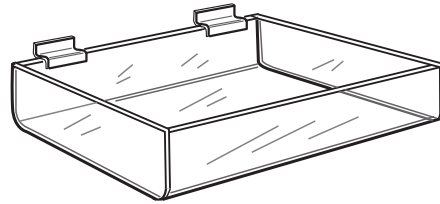
DIVIDED TRAYS



Ideal for showing gems, beads, and other small items in a compact space.

NUMBER	SIZE
2511	1 Compartment Tray
2512	2 Compartment Tray
2513	3 Compartment Tray
2514	4 Compartment Tray
2515	5 Compartment Tray

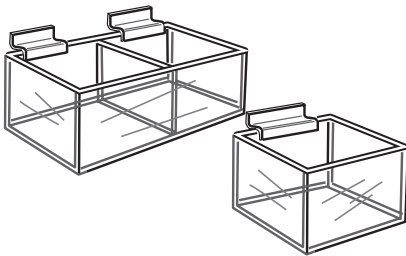
ACRYLIC SLATWALL TRAYS



Great for candy, stationery and other small packaged items.

NUMBER	DESCRIPTION
2210	8" w 4" d 2" h
2214	12" w 4" d 2" h
2218	12" w 8" d 2" h
2222	16" w 8" d 2" h
2223	24" w 8" d 2" h
2219	12" w 6" d 4" h
2229	16" w 8" d 4" h
2230	24" w 8" d 4" h

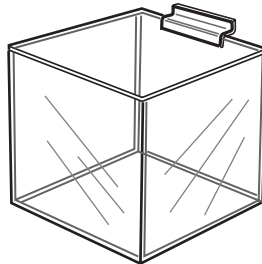
SLATWALL CD BINS



Single and double wide slatwall bins are the perfect size for CDs and many other items

NUMBER	SIZE
2283	6 1/4" w 6" d 4" h
2284	12 1/4" w 6" d 4" h

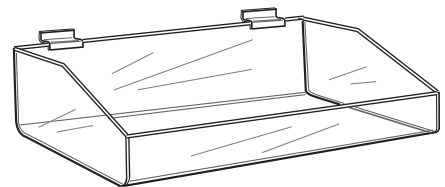
SLATWALL BINS



Perfect for holding merchandise of various sizes on slatwall, made from heavy 3/16" acrylic.

NUMBER	DESCRIPTION
2604	Slatwall Bin 4" Square
2606	Slatwall Bin 6" Square
2608	Slatwall Bin 8" Square
2610	Slatwall Bin 10" Square
2612	Slatwall Bin 12" Square

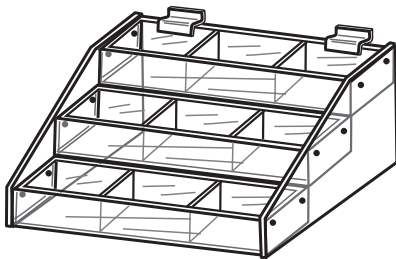
ACRYLIC TRAY



Deluxe Acrylic Tray is perfect to display merchandise on the countertop or shelves. Sloping sides are 2 1/4" h in front, 4" h in back

NUMBER	SIZE
2231	16" w 6" d

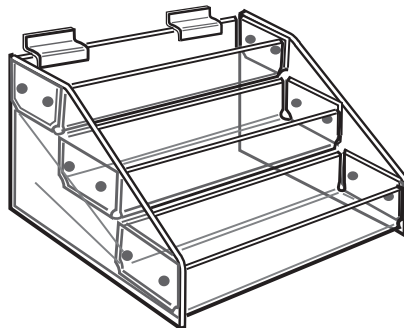
TIERED TRAY DISPLAYS



Choose any combination of divided trays to make the best display for you.

NUMBER	SIZE
2532	2 Tier Tray Disp.
2533	3 Tier Tray Disp.

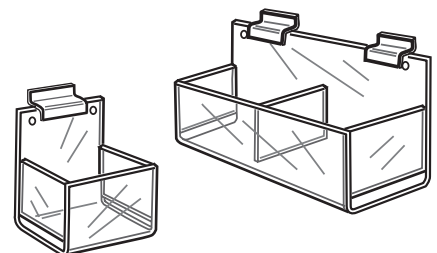
TIERED SHELF DISPLAY



For mugs, figurines, candles, etc. Shelf dimension: 12" w x 3 3/4" d

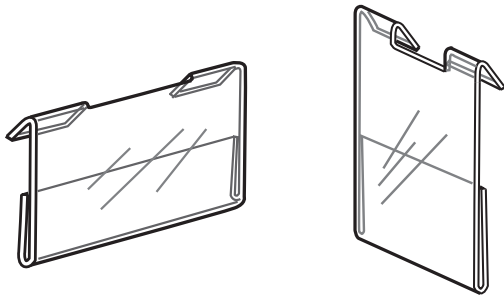
NUMBER	DESCRIPTION
2348	3 Tier Display

PACKAGED PRODUCT DISPLAYS



NUMBER	DESCRIPTION	SIZE
2420	Single Wide	7 3/4" w 4 3/4" d
2421	Double Wide	15 1/2" w 4 3/4" d

ECONOMY SLATWALL SIGNHOLDERS



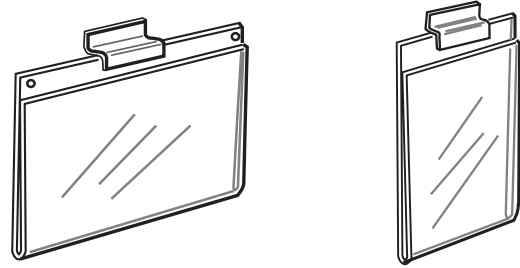
HORIZONTAL

NUMBER	DESCRIPTION
8033	3½" x 2"
8030	3½" x 5½"
8032	5½" x 7"
8036	7" x 11"
8040	8½" x 11"

VERTICAL

NUMBER	DESCRIPTION
8034	3½" x 2"
8029	3½" x 5½"
8031	5½" x 7"
8035	7" x 11"
8039	8½" x 11"

SLATWALL SIGNHOLDERS



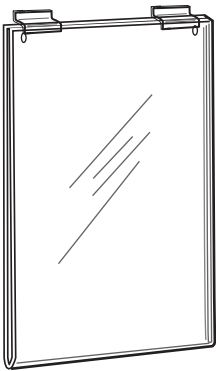
HORIZONTAL

NUMBER	DESCRIPTION
2033	3½" x 2"
2030	3½" x 5½"
2032	5½" x 7"
2036	7" x 11"
2040	8½" x 11"
2044	11" x 14"
2046	11" x 17"

VERTICAL

NUMBER	DESCRIPTION
2034	3½" x 2"
2029	3½" x 5½"
2031	5½" x 7"
2035	7" x 11"
2039	8½" x 11"
2043	11" x 14"
2045	11" x 17"

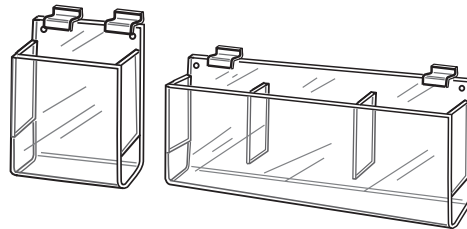
LARGE SIGN HOLDERS



Great for posters!

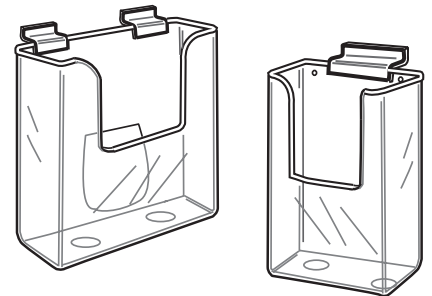
NUMBER	SIZE
2037	14" x 22"
2038	22" x 28"

SLATWALL BROCHURE HOLDERS



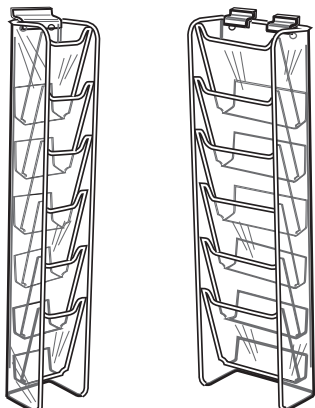
SINGLE POCKET	DOUBLE POCKET	TRIPLE POCKET	DESCRIPTION
2111	2442	2444	for 4 x 9" Brochures
2112	---	---	for 5½" w x 9" h Brochures
2113	---	---	for 7½" w x 9" h Brochures
2115	2452	2454	for 8½" w x 11" h Brochures
2116	---	---	for 11" w x 8½" h Brochures

ECONOMY SLATWALL BROCHURE HOLDERS



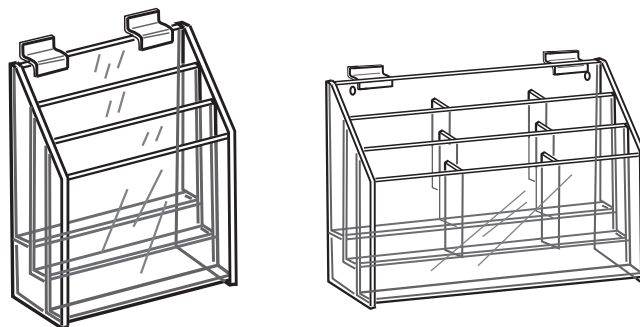
NUMBER	SIZE
2111E	4 x 9"
2112E	5½" x 9"
2115E	8½ x 11"

6 POCKET SLATWALL BROCHURE HOLDER



NUMBER	BROCHURE SIZE	DIMENSIONS
2248	4"w 9"h	4½"w 4"d 28"h
2249	8½"w 11"h	9"w 5"d 30"h

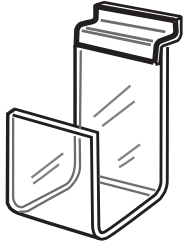
3 TIER SLATWALL BROCHURE HOLDERS



Display between 3 - 12 brochures in a compact 3 tier slatwall display

3 Pocket	6 Pocket	9 Pocket	12 Pocket	BROCHURE SIZE
2200	2201	2202	2203	4"w 9"h
2204	2205	2206	---	8½"w 11"h

SLATWALL HOOK



NUMBER	DESCRIPTION
2240	1½"w, 2" Lip

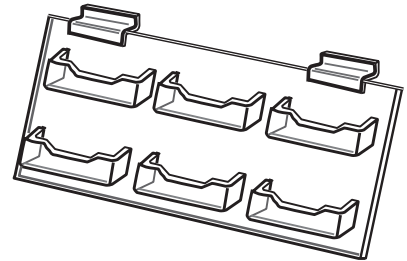
ACRYLIC SLATWALL EASELS



Perfect for plates, platters and pictures.
Good for heavier items.

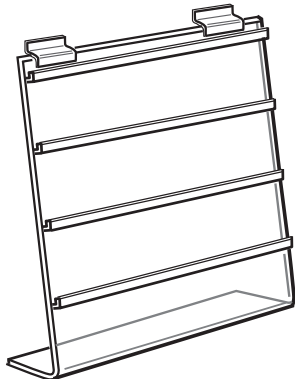
NUMBER	DESCRIPTION
2722	6"h
2723	7½"h
2724	9"h

MULTIPLE CARD STANDS



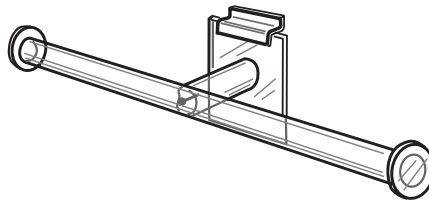
NUMBER	DESCRIPTION
2311	1 Business Card
2312	3 Business Cards
2313	6 BusinessCards
2314	9 Business Cards

CARDED EARRING DISPLAY



NUMBER	DESCRIPTION
2664	13"w 14½"h 2" Cards

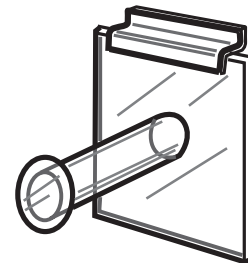
SLATWALL T-BAR NECKLACE DISPLAY



Made from solid 1" dia. acrylic rod

NUMBER	DESCRIPTION
2327	15½"w

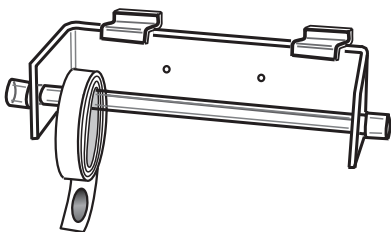
SLATWALL STRAIGHT ARM



Made from solid 1" dia. acrylic rod

NUMBER	DESCRIPTION
2325	4" Arm

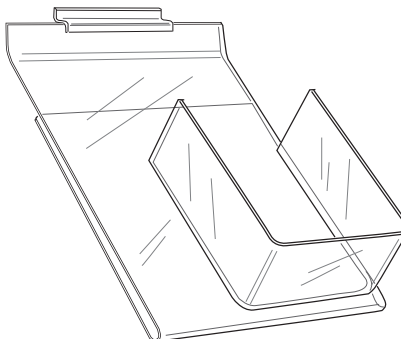
SLATWALL STICKER RACK



Acrylic spindle allows for easy distribution.

NUMBER	SIZE
2297	12½"w 5"d 3"h Slatwall

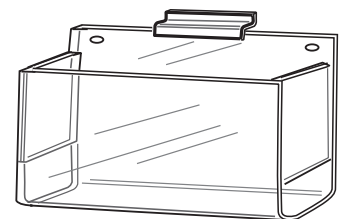
SLATWALL CELL PHONE STAND



Displays a cell phone
with a built in 4¾" x 5¼" sign holder

NUMBER	DESCRIPTION
2945	4¾"w 5¼"h

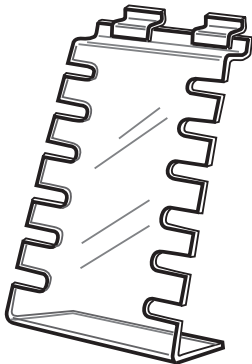
SLATWALL POST CARD POCKETS



Display a single facing of post cards.

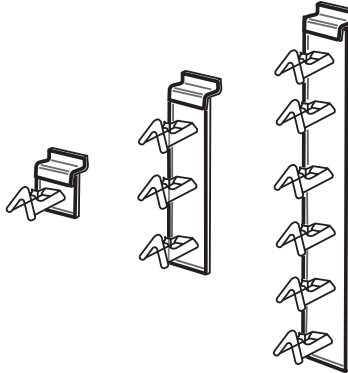
NUMBER	SIZE
2145	6"w 1½"d 3½"h

SLATWALL EYEWEAR DISPLAYS



NUMBER	DESCRIPTION
2480	Holds 6 pair - 16" h For slatwall display

SLATWALL EYEWEAR DISPLAYS



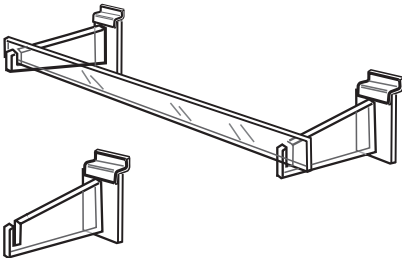
NUMBER	DESCRIPTION
2486	Holds 1 pr, 3" h
2487	Holds 3 pr, 11 3/4" h
2488	Holds 6 pr, 23 3/4" h

ACRYLIC MIRROR



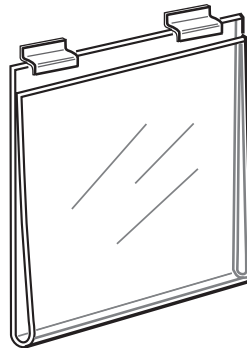
NUMBER	DESCRIPTION
2091	9" w 12" h

ACRYLIC HANGRAIL BRACKETS



NUMBER	DESCRIPTION
2281	5 1/4 Hangrail bracket
2280	24" Hangrail w/ 2 Brackets

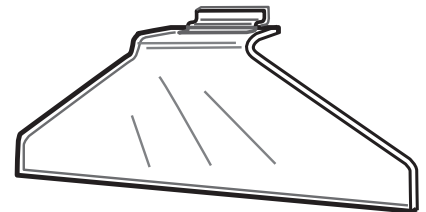
T-SHIRT DISPLAYS



Holds a folded T-shirt to display designs.
Clear acrylic, 13" w x 13 3/4" h

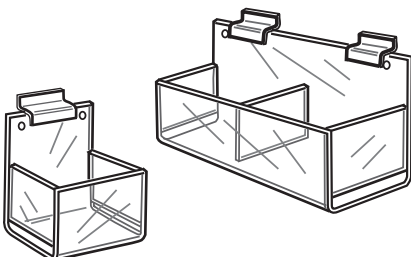
NUMBER	DESCRIPTION
2400	Slatwall
1401	Folding Insert

SLATWALL HANGERS



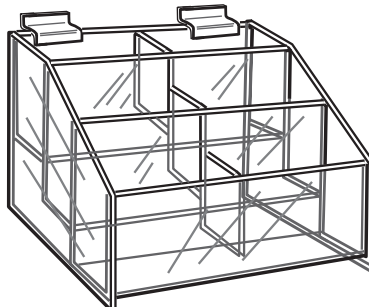
NUMBER	DESCRIPTION
2376	Clear Acrylic 16" w Slatwall

PACKAGED PRODUCT DISPLAYS



NUMBER	DESCRIPTION	SIZE
2420	Single Wide	7 3/4" w 4 3/4" d
2421	Double Wide	15 1/2" w 4 3/4" d

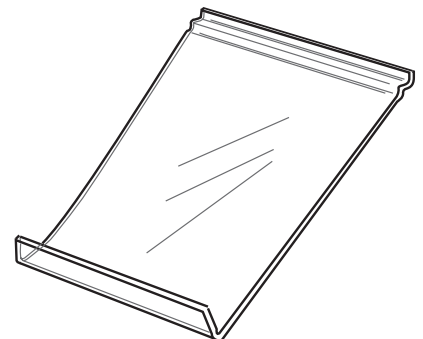
HOSIERY DISPLAYS



Can be used on countertop or slatwall.
Each compartment is 7 1/2" wide

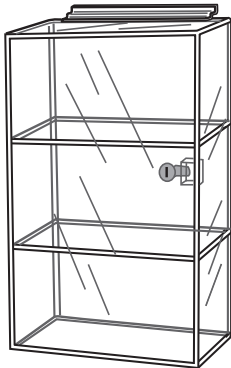
NUMBER	DESCRIPTION
2347	15 3/4" w 11 3/4" d 11 1/2" h

CAP SHELF



NUMBER	DESCRIPTION	SIZE
2620	Single Cap	7 1/4" w 6 1/2" d
2621	Multiple Caps	7 1/4" w 12 1/2" d

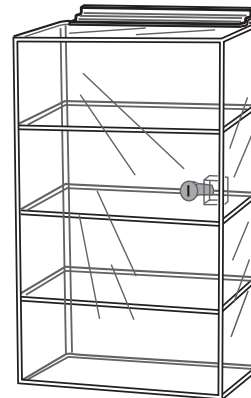
ACRYLIC SLATWALL SHOWCASE



13"w 7½"d 21"h

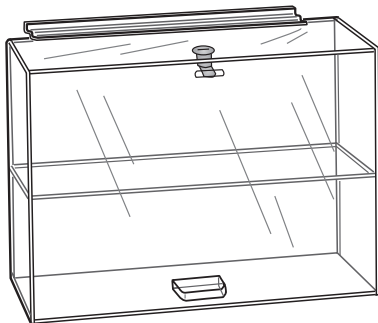
NUMBER	DESCRIPTION
2471	3 Shelves (pictured)
2470	4 Shelves

ACRYLIC SLATWALL SHOWCASE



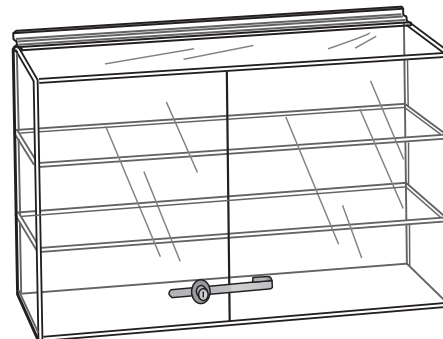
NUMBER	SIZE
2475	15½"w 8½"d 24"h with 4 flat shelves

SLIDING DOOR ACRYLIC SLATWALL SHOWCASES



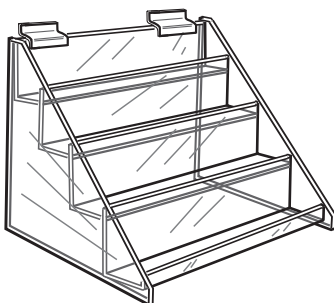
NUMBER	SIZE
2472	16"w 7"d 12"h Vertical door slides upward with key lock.

LOCKING DOUBLE DOOR SLATWALL SHOWCASES



NUMBER	SIZE
2467	21"w 7½"d 13"h 2 Flat Shelves
2468	21"w 7½"d 13"h 3 Flat Shelves (pictured)

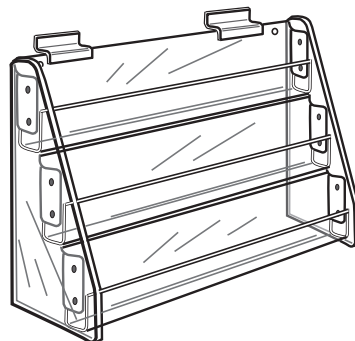
4 TIER SLATWALL DISPLAY



¼" thick acrylic with a ¾" front lip.
For wallets, leather goods, etc.
Overall dimensions:
15½"w x 11"d x 12¾"h

NUMBER	DESCRIPTION
2216	Slatwall

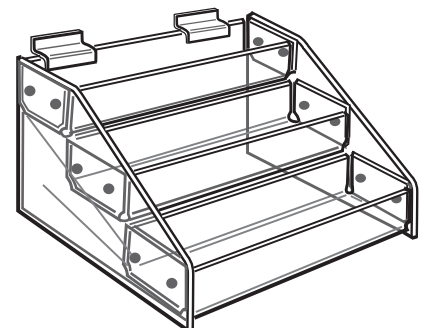
SLATWALL CARD & VIDEO RACK



Each shelf is 21"w x 1¼"d
Shipped K/D down for easy assembly.

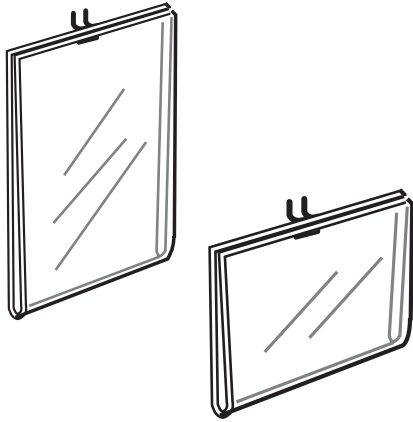
NUMBER	SIZE	SIZE
2349	3 Tier	21"w 6"d 14½"h
2358	3 Tier Tilted	21"w 8"d 13½"h
2359	4 Tier Tilted	21"w 10½"d 17½"h

TIERED SHELF DISPLAY



For mugs, figurines, candles, etc.
Shelf dimension: 12"w x 3¾"d

NUMBER	DESCRIPTION
2348	3 Tier Display



PEGBOARD SIGNHOLDERS

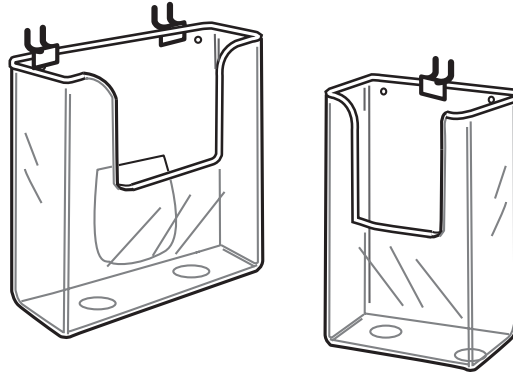
Signholders with an attachment that fits directly into standard pegboard.

<u>HORIZONTAL</u>	<u>SIZE</u>		<u>VERTICLE</u>
6033	2"	3½"	6034
6030	3½"	5½"	6029
6032	5½"	7"	6031
6040	8½"	11"	6039

PEGBOARD BROCHURE HOLDERS

Brochure holders with an attachment that fits directly into standard pegboard.

<u>HORIZONTAL</u>	<u>SIZE</u>
6111E	Fits 4"w x 9"h Brochures
6112E	Fits 5½"w x 9"h Brochures
6115E	Fits 8½"w x 11"h Brochures

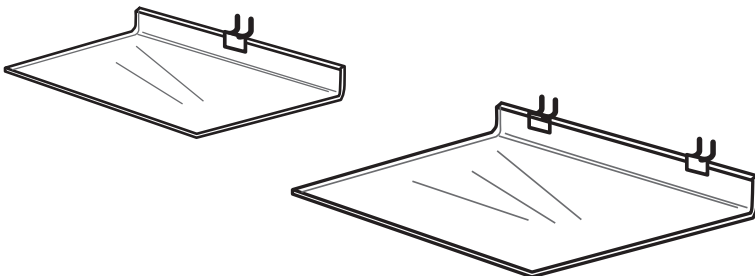


ACRYLIC PEGBOARD SHELVES

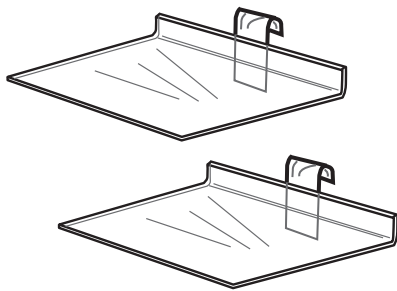
Pegboard shelves with an attachment that fits directly into standard pegboard.

Perfect for lightweight items.

<u>NUMBER</u>	<u>DESCRIPTION</u>	
6018	6"w	3"d
6020	9"w	4"d
6021	10"w	4"d
6024	12"w	6"d

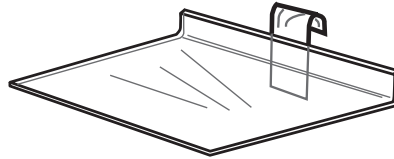


GRID SHELVES



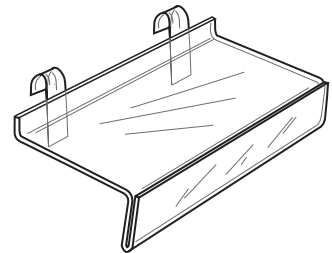
NUMBER	SIZE
3020	9"w 4"d Economy
3021	10"w 4"d Economy
3024	12"w 6"d Economy

GRID SHELVES



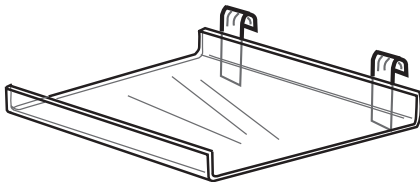
NUMBER	SIZE
3006	12"w 6"d Standard
3014	16"w 8"d Standard
3011	24"w 8"d Standard
3015	24"w 12"d Standard

GRID SHELVES



NUMBER	SIZE
3026	10"w 4"d w/ Signholder

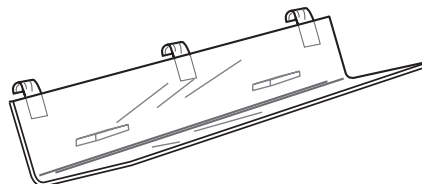
GRIDWALL SHELVES W/LIP



ECONOMY

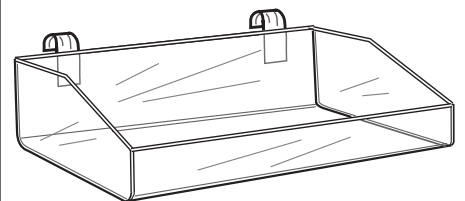
NUMBER	DISC.
3820	9"w 4"d
3823	10"w 5"d
3824	12"w 6"d

GRIDWALL CD SHELF



NUMBER	DESCRIPTION
3601	23 ³ / ₄ "w 5"d 6"h

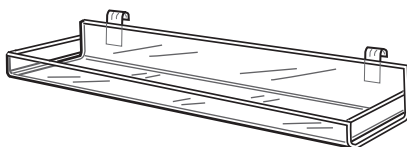
ACRYLIC TRAY



Deluxe Acrylic Tray is perfect to display merchandise on the countertop or shelves. Sloping sides are 2¹/₄"h in front, 4"h in back

NUMBER	SIZE
3231	16"w 6"d

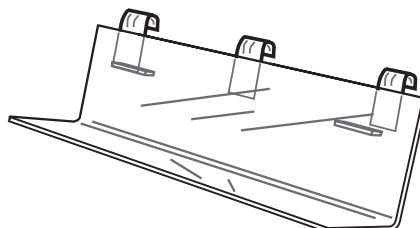
GRID SHELF W/LIP



4" DEEP

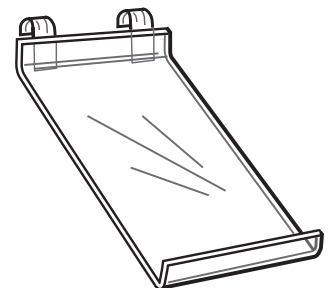
NUMBER	DESCRIPTION
3361	11 ³ / ₄ " Open End
3362	11 ³ / ₄ " Closed End
3363	23 ³ / ₄ " Open End
3364	23 ³ / ₄ " Closed End

GRIDWALL BOOK SHELF



NUMBER	DESCRIPTION
3612	23 ³ / ₄ "w 4"d 3"h

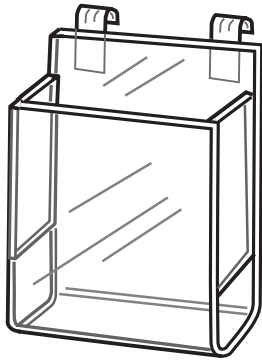
SLANTED SHELVES



Good for books, shoes and packaged apparel.

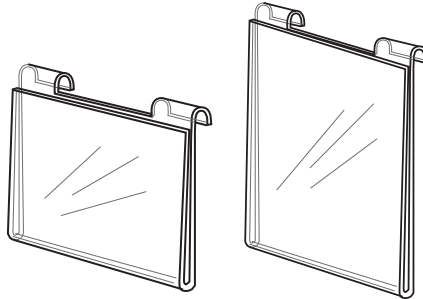
NUMBER	DESCRIPTION
3085	3"w 10"d
3087	7"w 10"d
3197	24"w 12"d

GRIDWALL BROCHURE HOLDERS



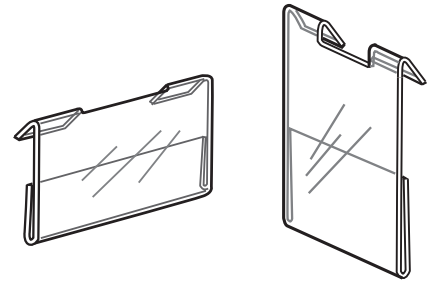
SINGLE POCKET	DOUBLE POCKET	TRIPLE POCKET	SIZE
3111	3442	3444	4 x 9"
3115	---	---	8½ x 11"

GRID SIGNHOLDERS



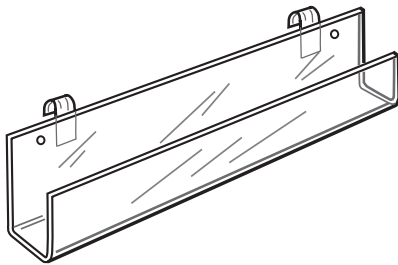
HORIZONTAL	SIZE	VERTICLE
3033	2" 3½"	3034
3030	3½" 5½"	3029
3032	5½" 7"	3031
3036	7" 11"	3035
3040	8½" 11"	3039
3044	11" 14"	3043

ECONOMY GRIDWALL SIGNHOLDERS



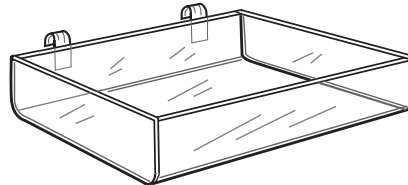
HORIZONTAL NUMBER	DESCRIPTION	VERTICAL NUMBER
8033	3 ½" x 2"	8034
8030	3 ½" x 5 ½"	8029
8032	5 ½" x 7"	8031
8036	7" x 11"	8035
8040	8 ½" x 11"	8039

GRID CARD RACKS



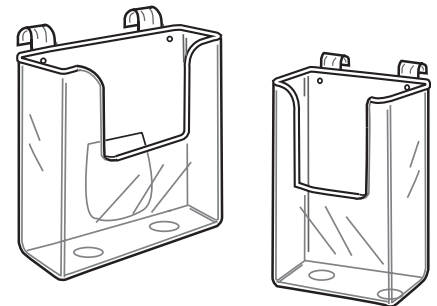
NUMBER	DESCRIPTION
3270	11¾" Open End
3275	23¾" Open End
3278	23¾" Closed End
3375	23¾" Open W/Tilt
3378	23¾" Closed End W/Tilt

ACRYLIC GRID TRAYS



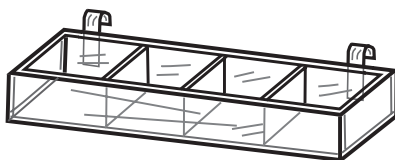
NUMBER	DESCRIPTION
3210	8"w 4"d 2"h
3214	12"w 4"d 2"h
3218	12"w 8"d 2"h
3222	16"w 8"d 2"h
3223	24"w 8"d 2"h
3219	12"w 6"d 4"h
3229	16"w 8"d 4"h
3230	24"w 8"d 4"h

ECONOMY GRIDWALL BROCHURE HOLDERS



NUMBER	SIZE
3111E	4 x 9"
3112E	5½ x 9"
3115E	8½ x 11"

GRIDWALL DIVIDED TRAYS



Ideal for showing gems, beads, and other small items in a compact space.

NUMBER	SIZE
3511	1 Compartment Tray.
3512	2 Compartment Tray
3513	3 Compartment Tray
3514	4 Compartment Tray
3515	5 Compartment Tray

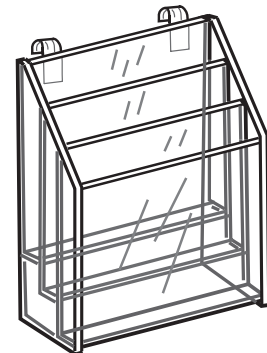
GRIDWALL TIERED TRAY DISPLAYS



Choose any combination of divided trays to make your ideal display.

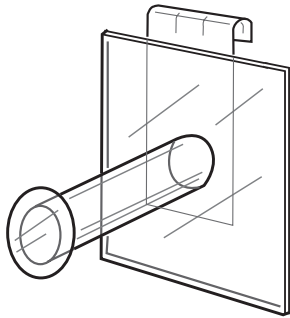
NUMBER	SIZE
3532	2 Tier Tray Disp.
3533	3 Tier Tray Disp.

3 TIER GRIDWALL BROCHURE HOLDERS



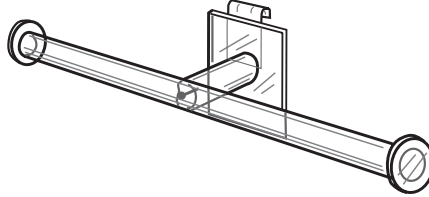
3 Pocket	6 Pocket	9 Pocket	12 Pocket	BROCHURE SIZE
3200	3201	3202	3203	4"w 9"h
3204	3205	---	---	8½"w 11"h

GRIDWALL STRAIGHT ARM



NUMBER
3325 DESCRIPTION
4" Arm

GRIDWALL T-BAR NECKLACE DISPLAY



NUMBER
3327 DESCRIPTION
1 1/2" w

GRIDWALL EYEWEAR DISPLAYS



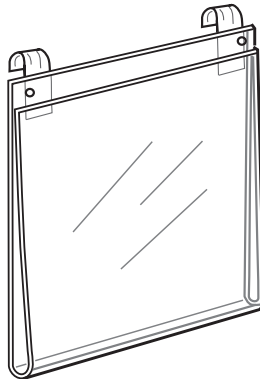
NUMBER
3488 DESCRIPTION
Holds 6 pr, 2 3/4" l

ACRYLIC MIRROR



NUMBER
2091 DESCRIPTION
9" w 12" h

FOLDED T-SHIRT GRIDWALL DISPLAY



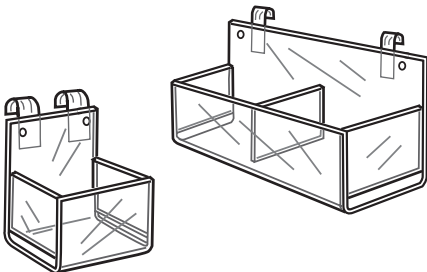
NUMBER
3400 DESCRIPTION
13" x 13" Clear Acrylic
1401 Folding Insert

CARDED EARRING DISPLAY



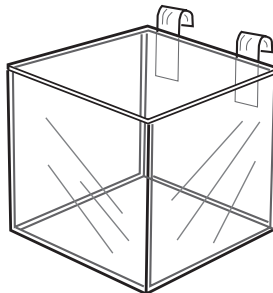
NUMBER
3664 DESCRIPTION
13" w 14 1/2" h 2" Cards

PACKAGED PRODUCT DISPLAYS



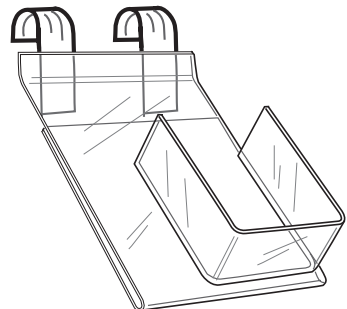
NUMBER
3420 DESCRIPTION
3421 Single Wide Double Wide SIZE
7 3/4" w 4 3/4" d 15 1/2" w 4 3/4" d

GRIDWALL BINS



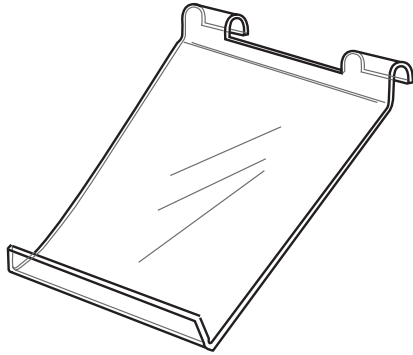
NUMBER
3604 DESCRIPTION
3606 Gridwall Bin 4" Square
3608 Gridwall Bin 6" Square
3610 Gridwall Bin 8" Square
3612 Gridwall Bin 10" Square
3612 Gridwall Bin 12" Square

GRIDWALL CELL PHONE STAND



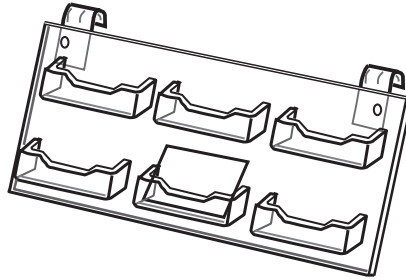
NUMBER
3945 DESCRIPTION
4 3/4" w 5 1/4" h

CAP SHELF



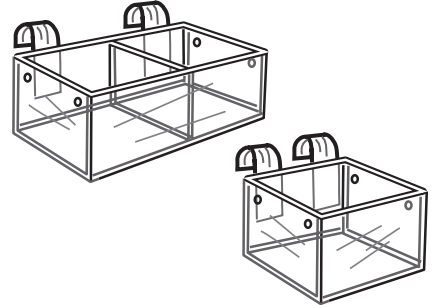
NUMBER	DESCRIPTION	SIZE
3620	Single Cap	7¼"w 6½"d
3621	Multiple Caps	7¼"w 12½"d

MULTIPLE CARD STANDS



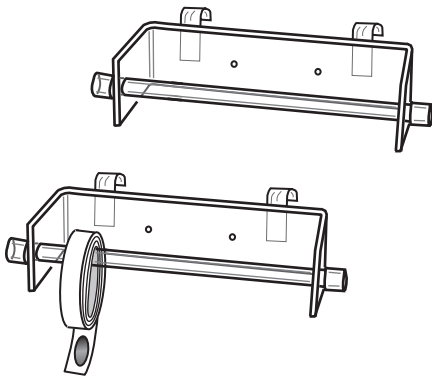
NUMBER	DESCRIPTION
3311	1 Business Card
3312	3 Business Cards
3313	6 Business Cards
3314	9 Business Cards

GRIDWALL CD BINS



NUMBER	SIZE
3283	6¼"w 6"d 4"h
3284	12¼"w 6"d 4"h

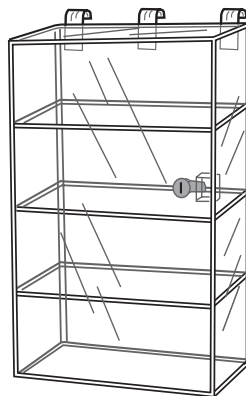
GRIDWALL STICKER RACK



Acrylic spindle allows for easy distribution.

NUMBER	SIZE
3297	12½"w 5"d 3"h Gridwall

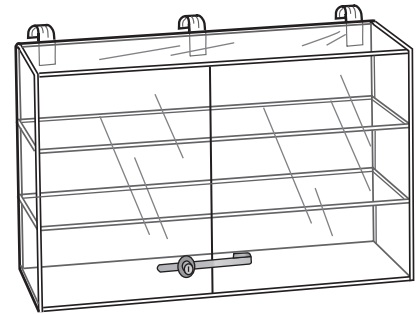
GRIDWALL ACRYLIC SHOWCASE



NUMBER	DESCRIPTION
3471	3 Shelves
3470	4 Shelves (pictured)

13"w 7½"d 21"h

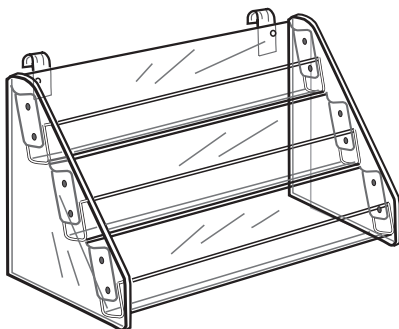
LOCKING DOUBLE DOOR SHOWCASES



21"w 7½"d 13"h

NUMBER	SIZE
3467	2 Flat Shelves
3468	3 Flat Shelves (pictured)

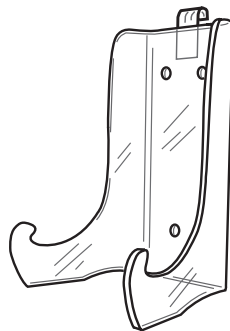
GRIDWALL CARD & VIDEO RACK



Each shelf is 21"w x 1¼"d
Shipped K/D down for easy assembly.

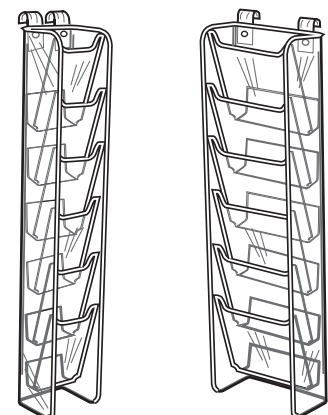
NUMBER	SIZE	SIZE
3349	3 Tier	21"w 6"d 14½"h
3358	3 Tier Tilted	21"w 8"d 13½"h
3359	4 Tier Tilted	21"w 10½"d 17½"h

ACRYLIC GRIDWALL EASELS



NUMBER	DESCRIPTION
3722	6"h
3723	7½"h
3724	9"h

6 POCKET GRIDWALL BROCHURE HOLDER



NUMBER	BROCHURE SIZE	DIMENSIONS
3248	4"w 9"h	4½"w 4"d 28"h
3249	8½"w 11"h	9"w 5"d 30"h

INDEX

Acrylic Boxes6
 Apparel Displays..... 24, 25
 Ballot Boxes 6, 26
 Book Easels 2, 3
 Brochure Holders14, 15, 33
 Business Card Holders..... 15, 34
 Camera Stands..... 4
 Card Racks 22
 Ceiling Turners 29
 Cellular Phone Displays7
 CD Displays 22, 23
 Cleaner, Acrylic..... 26, 42
 Compact Disc Displays..... 22, 23
 Cubes, Acrylic..... 6
 Custom Displays.....42
 Dinnerware Stands..... 2
 Doll Cases..... 6
 Earring Stands18
 Easels 2, 3, 4, 5
 Egg Stands 28
 Electronics Displays 4, 5
 Eyewear Displays17, 35
 Folding Boards25
 Gridwall
 Accessories 38, 39, 40, 41
 Shelves..... 38
 Hosiery Displays..... 25, 35
 Jewelry Displays..... 17, 18, 19, 21
 Keychain Displays..... 26
 Knife Displays 28
 Mirrors.....17
 Muti-Bin Racks27
 Ornament Stands 29
 Paperweight Stands 4
 Pedestal Displays 5, 7
 Pegboard Sign Holders & Shelves37
 Pen Displays 29
 Plate Racks..... 2, 3
 Post Card Pockets 26, 34
 Risers 8, 9
 Shelf Talker 26
 Shoe Risers.....24
 Shoe Inserts24
 Showcases20, 21, 36
 Sign Holders12, 13, 33
 Shirt Display 25, 35
 Slatwall
 Accessories 30 - 36
 Shelving30, 31
 Spiral Ornament Stand 29
 Spoon Stands 28
 Stairways.....7, 10
 Sticker & Ribbon Racks 28, 34
 Tiered Table Displays11
 Trays, Acrylic.....20, 26, 27, 32
 Wallet Displays25

Custom Acrylic Displays

If you don't see it... just ask!

- We stock over 1000 acrylic and plastic display items for immediate shipment, however if you don't find what you're looking for in our catalog please contact our sales staff for assistance with designing and manufacturing custom acrylic items to your specific needs.
- We have the capability to make items from a wide variety of materials.
- From a simple sketch with dimensions to a detailed CAD print we can make a product that fits your needs.
- We can custom screen print your items to help set your product apart and provide brand awareness.
- Our design staff will be happy to offer advice and sample sketches as well as pre-production prototypes.
- Our International sourcing capabilities allow us to incorporate a wide variety of materials into your custom display including metal hardware, wire, etc.
- Let us quote your custom items... from 1 to 1,000,000 we can make it.

Acrylic Cleaner & Polish



To keep plastics & acrylics scratch free and looking nice we recommend that you use Novus brand cleaners and polish.

Many cleaners, especially those using amonia and other harsh cleaners will dry out plastics and leave a hazy look after repeated cleaning.

Novus brand products are specially made for use with most plastics and acrylics. Keep your plastic items looking good for years to come.

NUMBER	DESCRIPTION
1253	Novus 1 - Use for Everyday Cleaning of Plastics & Acrylics
1254	8oz Novus 2 - Removes Fine Scratches & Polishes Acrylics
1255	8oz Novus 3 - Removes Deep Scratch - Use Novus 2 after Novus 3

Affordable Display Products

311 Altamonte Commerce Blvd.

Suite 1608

Altamonte Springs, FL 32714

Toll Free 866-550-0656 * FAX 407-264-8822

www.affordabledisplayproducts.com

Phone	FAX
Buyer	
Email	

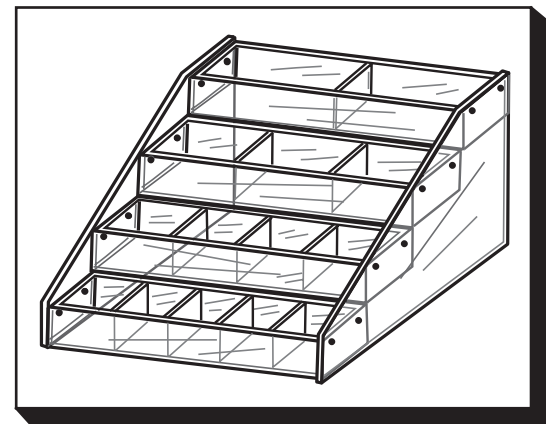
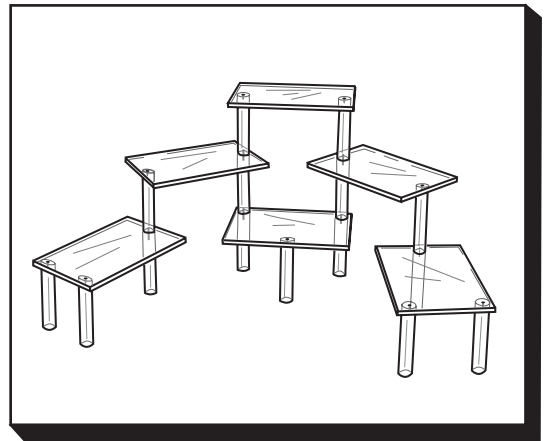
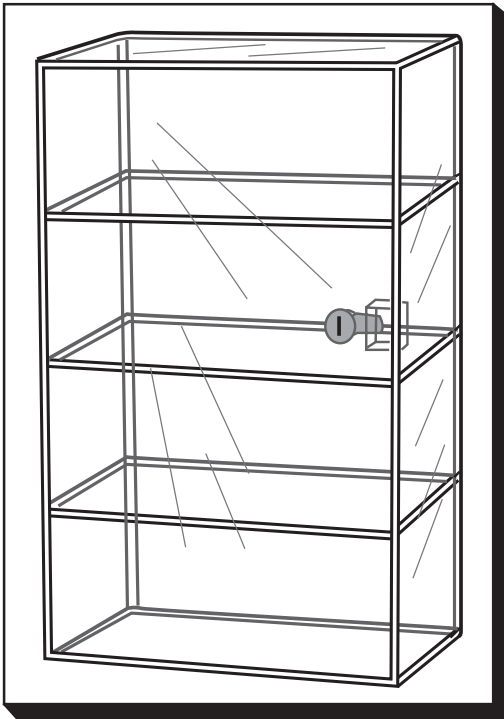
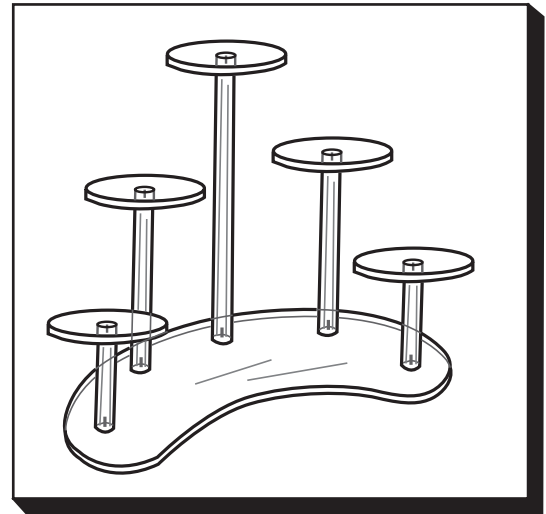
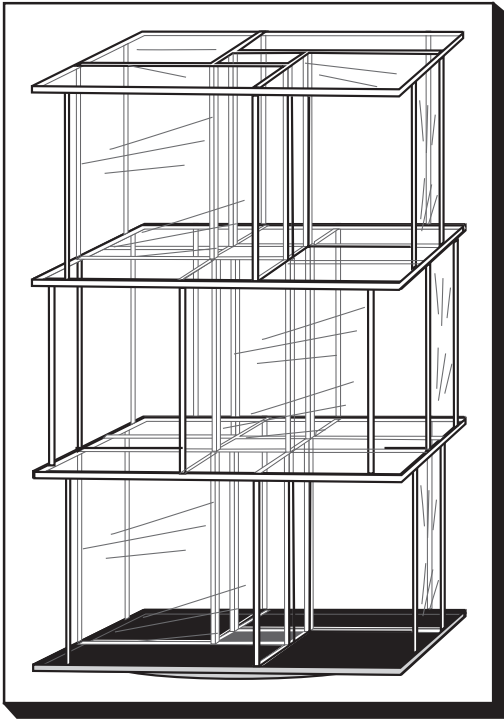
Bill To: _____

Ship To: _____

PURCHASE ORDER	SHIP DATE	SHIP VIA	SALESPERSON	TERMS

QUANTITY	PACK	ITEM #	DESCRIPTION	COST	TOTAL

BUYER SIGNATURE: _____ DATE: _____



Affordable Display Products

311 Altamonte Commerce Blvd., Suite 1608

Altamonte Springs, FL 32714

Toll Free 866-550-0656 * FAX 407-264-8822

www.affordabledisplayproducts.com